

[MY ACCOUNT](#) [BLOG](#)[0 \\$ 00.00](#)[Home](#) > [Steel Adapters](#) > [Pipe Female Swivel \(NPSM\)](#) >

## 1502 -NPTF PIPE FEMALE X NPSM PIPE SWIVEL FEMALE 90° ELBOW



### NPTF Pipe Female x NPSM Pipe Swivel Female 90° Elbow

1502 adapter fittings are equivalent to the following:

- \* SAE 140231
- \* Parker Hydraulics 2207
- \* Weatherhead 9455
- \* Aeroquip 2207

Available in stainless steel: SS-1502

(1) NPTF Female (2) NPSM Swivel Female

Alternative Views:



PRESSURE RATINGS



DIMENSIONAL DRAWINGS



CROSS REFERENCE

## NPTF PIPE FEMALE X NPSM PIPE SWIVEL FEMALE 90° ELBOW

[PRINT PAGE](#)

ITEM#	ITEM NAME	OUR PRICE	QTY	
1502-02-02	1502-02-02 - 90° Elbow, 1/8" NPTF Female x 1/8" NPSM Swivel	<b>\$2.44</b>		
1502-02-04	1502-02-04 - 90° Elbow, 1/8" NPTF Female x 1/4" NPSM Swivel	<b>\$5.94</b>		
1502-04-02	1502-04-02 - 90° Elbow, 1/4" NPTF Female x 1/8" NPSM Swivel	<b>\$10.33</b>		
1502-04-04	1502-04-04 - 90° Elbow, 1/4" NPTF Female x 1/4" NPSM Swivel	<b>\$2.78</b>		

1502-04-06	1502-04-06 - 90° Elbow, 1/4" NPTF Female x 3/8" NPSM Swivel	<b>\$5.35</b>		
1502-06-04	1502-06-04 - 90° Elbow, 3/8" NPTF Female x 1/4" NPSM Swivel	<b>\$4.02</b>		
1502-06-06	1502-06-06 - 90° Elbow, 3/8" NPTF Female x 3/8" NPSM Swivel	<b>\$3.30</b>		
1502-06-08	1502-06-08 - 90° Elbow, 3/8" NPTF Female x 1/2" NPSM Swivel	<b>\$5.71</b>		
1502-08-04	1502-08-04 - 90° Elbow, 1/2" NPTF Female x 1/4" NPSM Swivel	<b>\$9.48</b>		
1502-08-06	1502-08-06 - 90° Elbow, 1/2" NPTF Female x 3/8" NPSM Swivel	<b>\$7.47</b>		
1502-08-08	1502-08-08 - 90° Elbow, 1/2" NPTF Female x 1/2" NPSM Swivel	<b>\$4.11</b>		
1502-08-12	1502-08-12 - 90° Elbow, 1/2" NPTF Female x 3/4" NPSM Swivel	<b>\$6.05</b>		
1502-12-08	1502-12-08 - 90° Elbow, 3/4" NPTF Female x 1/2" NPSM Swivel	<b>\$5.84</b>		
1502-12-12	1502-12-12 - 90° Elbow, 3/4" NPTF Female x 3/4" NPSM Swivel	<b>\$7.01</b>		
1502-12-16	1502-12-16 - 90° Elbow, 3/4" NPTF Female x 1" NPSM Swivel	<b>\$36.50</b>		
1502-16-12	1502-16-12 - 90° Elbow, 1" NPTF Female x 3/4" NPSM Swivel	<b>\$33.80</b>		
1502-16-16	1502-16-16 - 90° Elbow, 1" NPTF Female x 1" NPSM Swivel	<b>\$12.97</b>		
1502-20-20	1502-20-20 - 90° Elbow, 1-1/4" NPTF Female x 1-1/4" NPSM Swivel	<b>\$20.00</b>		
1502-24-24	1502-24-24 - 90° Elbow, 1-1/2" NPTF Female x 1-1/2" NPSM Swivel	<b>\$50.22</b>		
1502-32-32	1502-32-32 - 90° Elbow, 2" NPTF Female x 2" NPSM Swivel	<b>\$146.05</b>		

Check the items you wish to purchase, then click

**ADD TO CART**

## Features

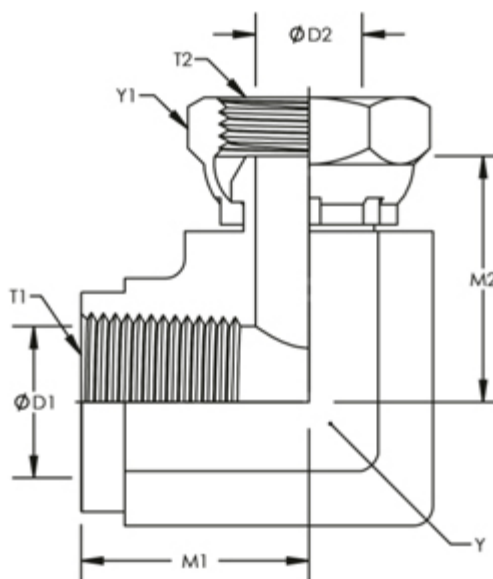
Material: High pressure carbon steel with zinc trivalent anti-corrosion coating National Pipe Straight Mechanical NPSM mates with NPTF pipe fittings and adapters. Female NPSM fittings have a straight thread and 30° seat which creates a metal to metal connection in hydraulic applications

## Product Details

### Pressure:

NPT PRESSURE RATINGS, ANSI/ASME B 31.3					
SIZE	NPT	MALE		FEMALE	
DESIGNATOR	SIZE	PSIG	BAR	PSIG	BAR
1	1/16	11000	757	6700	461
2	1/8	10000	689	6500	447
4	1/4	8000	551	6600	454
6	3/8	7800	537	5300	365
8	1/2	7700	530	4900	337
12	3/4	7300	502	4600	316
16	1	5300	365	4400	303
20	1 1/4	6000	413	5000	344
24	1 1/2	5000	344	4600	316
32	2	3900	268	3900	268

### Dimensional Drawings:



Product ID	Y HEX	Y1 HEX	T1	M1	D1	T2	M2	D2
SS-1502-02-02	0.563	0.563	1/8-27	0.66	0.332	1/8-27	0.8	0.15
SS-1502-04-02	0.75	0.563	1/4-18	0.88	0.438	1/8-27	0.88	0.15
SS-1502-04-04	0.75	0.688	1/4-18	0.88	0.438	1/4-18	0.99	0.22
SS-1502-04-06	0.75	0.875	1/4-18	0.88	0.438	1/4-18	1.01	0.34

SS-1502-06-04	0.875	0.688	3/8-18	1.02	0.563	1/4-18	1.04	0.22
SS-1502-06-06	0.875	0.875	3/8-18	1.02	0.563	3/8-18	1.06	0.34
SS-1502-06-08	0.875	1	3/8-18	1.02	0.563	1/2-14	1.13	0.46
SS-1502-08-04	1.063	0.688	1/2-14	1.23	0.703	1/4-18	1.15	0.22
SS-1502-08-06	1.063	0.875	1/2-14	1.23	0.703	3/8-18	1.17	0.34
SS-1502-08-08	1.063	1	1/2-14	1.23	0.703	1/2-14	1.24	0.46
SS-1502-08-12	1.063	1.25	1/2-14	1.23	0.703	3/4-14	1.24	0.635
SS-1502-12-08	1.313	1	3/4-14	1.36	0.906	1/2-14	1.47	0.46
SS-1502-12-12	1.313	1.25	3/4-14	1.36	0.906	3/4-14	1.47	0.635
SS-1502-12-16	1.313	1.5	3/4-14	1.36	0.906	1-11-1/2	1.58	0.831
SS-1502-16-12	1.625	1.25	1-11-1/2	1.62	1.141	3/4-14	1.62	0.635
SS-1502-16-16	1.625	1.5	1-11-1/2	1.62	1.141	1-11-1/2	1.73	0.831
SS-1502-20-20	1.875	1.875	1-1/4-11-1/2	1.7	1.484	1-1/4-11-1/2	1.83	1.087
SS-1502-24-24	2.562	2.125	1-1/2-11-1/2	2.08	1.744	1-1/2-11-1/2	2.41	1.317
SS-1502-32-32	2.812	2.625	2-11-1/2	2.39	2.213	2-11-1/2	2.57	1.802

### Competitor Cross Reference:

Aeroquip #	Parker #
2048-2-2S	2207-2-2-S
2048-2-4S	2207-4-2-S
2048-4-4S	2207-4-4-S
2048-6-4S	2207-4-6-S
2048-4-6S	2207-6-4-S
2048-6-6S	2207-6-6-S
2048-8-6S	2207-6-8-S
2048-4-8S	2207-8-4-S
2048-6-8S	2207-8-6-S
2048-12-8S	2207-8-12-S
2048-8-12S	2207-12-8-S
2048-12-12S	2207-12-12-S
2048-16-12S	2207-12-16-S
2048-12-16S	2207-16-12-S
2048-16-16S	2207-16-16-S

2048-16-20S	2207-20-16-S
2048-20-20S	2207-20-20-S
2048-24-24S	2207-24-24-S
2048-32-32S	2207-32-32-S

Share your knowledge of this product. Be the first to write a review »

#### ABOUT US

[Company Info](#)  
[Contact Us](#)  
[Careers](#)  
[Reference Center](#)

#### MY ACCOUNT

[View Cart](#)  
[Sign-In](#)  
[Order Status](#)

#### PRODUCTS

[Product Index](#)  
[Category Index](#)

#### HELPFUL INFO

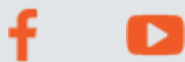
[Shipping & Returns](#)  
[Privacy Policy](#)  
[Terms & Conditions](#)  
[Warranty](#)

#### QUESTIONS? CALL OR TEXT US!

Tel: (866) 620-7320  
Email:  
[sales@hydraulicsdirect.com](mailto:sales@hydraulicsdirect.com)

Copyright 52540 Hydraulics Direct

### FOLLOW US



### TRUSTED SELLER

