

[MY ACCOUNT](#) [BLOG](#)[0 \\$ 00.00](#)[Home](#) > [Steel Adapters](#) > [NPT Pipe Fittings](#) >

## 5601 -NPTF FEMALE PIPE BRANCH TEE



(1,2) NPTF Male, (3) NPTF Female



Alternative Views:



### NPTF Female Pipe Branch Tee

5601 NPTF Pipe are equivalent to the following:  
\* Aeroquip 2256

Available in stainless steel: SS-5601



PRESSURE  
RATINGS



DIMENSIONAL  
DRAWINGS



CROSS  
REFERENCE

## NPTF FEMALE PIPE BRANCH TEE

[PRINT PAGE](#)

ITEM#	ITEM NAME	OUR PRICE	QTY	
5601-02-02-02	5601-02-02-02 - Branch Tee, 1/8" NPTF Male x 1/8" NPTF Male x 1/8" NPTF Female	<b>\$5.59</b>		
5601-04-04-04	5601-04-04-04 - Branch Tee, 1/4" NPTF Male x 1/4" NPTF Male x 1/4" NPTF Female	<b>\$5.84</b>		
5601-06-06-06	5601-06-06-06 - Branch Tee, 3/8" NPTF Male x 3/8" NPTF Male x 3/8" NPTF Female	<b>\$9.95</b>		
5601-08-08-08	5601-08-08-08 - Branch Tee, 1/2" NPTF Male x 1/2" NPTF Male x 1/2" NPTF Female	<b>\$10.32</b>		
5601-12-12-12	5601-12-12-12 - Branch Tee, 3/4" NPTF Male x 3/4" NPTF Male x 3/4" NPTF Female	<b>\$13.62</b>		

NPTF Female			
5601-16-16-16	5601-16-16-16 - Branch Tee, 1" NPTF Male x 1" NPTF Male x 1" NPTF Female	<b>\$23.98</b>	
5601-20-20-20	5601-20-20-20 - Branch Tee, 1-1/4" NPTF Male x 1-1/4" NPTF Male x 1-1/4" NPTF Female	<b>\$51.41</b>	

Check the items you wish to purchase, then click

**ADD TO CART**

## Features

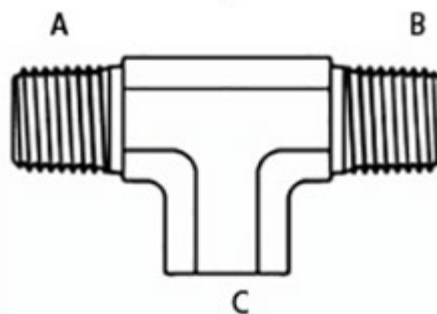
Material: High pressure carbon steel with zinc trivalent anti-corrosion coating. SAE National Pipe Thread Fuel (NPTF/NPT) meets SAE J476 specifications and is used for petroleum and mineral oil based fluids in hydraulic applications.

## Product Details

## Pressure:

NPT PRESSURE RATINGS, ANSI/ASME B 31.3					
SIZE	NPT	MALE		FEMALE	
DESIGNATOR	SIZE	PSIG	BAR	PSIG	BAR
1	1/16	11000	757	6700	461
2	1/8	10000	689	6500	447
4	1/4	8000	551	6600	454
6	3/8	7800	537	5300	365
8	1/2	7700	530	4900	337
12	3/4	7300	502	4600	316
16	1	5300	365	4400	303
20	1 1/4	6000	413	5000	344
24	1 1/2	5000	344	4600	316
32	2	3900	268	3900	268

## Dimensional Drawings:



PART NO.	MP-A	MP-B	FP-C	THREAD-1	THREAD-2	THREAD-3	A
5601-02-02-02	1/8	1/8	1/8	1/8-27	1/8-27	1/8-27	-
5601-04-04-04	1/4	1/4	1/4	1/4 - 18	1/4 - 18	1/4 - 18	-
5601-06-06-06	3/8	3/8	3/8	3/8 - 18	3/8 - 18	3/8 - 18	-
5601-08-08-08	1/2	1/2	1/2	1/2 - 14	1/2 - 14	1/2 - 14	-
5601-12-12-12	3/4	3/4	3/4	3/4 - 14	3/4 - 14	3/4 - 14	-
5601-16-16-16	1	1	1	1 - 11 1/2	1 - 11 1/2	1 - 11 1/2	-
5601-20-20-20	1-1/4	1-1/4	1-1/4	1 1/4-11 1/2	1 1/4-11 1/2	1 1/4-11 1/2	-

### Competitor Cross Reference:

INTERCHANGEABLE WITH COMPETITOR PART NUMBERS		
PART #	AEROQUIP	SAE
5601-02-02-02	2256-2-2S	140427
5601-04-04-04	2256-4-4S	140427
5601-06-06-06	2256-6-6S	140427
5601-08-08-08	2256-8-8S	140427
5601-12-12-12	2256-12-12S	140427
5601-16-16-16	2256-16-16S	140427
5601-20-20-20	-	140427

Share your knowledge of this product. Be the first to write a review »

#### ABOUT US

Company Info  
Contact Us

#### MY ACCOUNT

View Cart  
Sign-In

#### PRODUCTS

Product Index  
Category Index

#### HELPFUL INFO

Shipping & Returns  
Privacy Policy

#### QUESTIONS? CALL OR TEXT US!

Tel: (866) 620-7320

[Careers](#)

[Order Status](#)

[Terms & Conditions](#)

Email:

[sales@hydraulicsdirect.com](mailto:sales@hydraulicsdirect.com)

[Reference Center](#)

[Warranty](#)

Copyright 52507 Hydraulics Direct

## FOLLOW US



## TRUSTED SELLER

