



MY ACCOUNT BLOG

0 \$ 00.00

Home > Steel Adapters > 37 Degree JIC >

2703 -37° JIC BULKHEAD BRANCH TEE



(1,2,3) JIC Male Tee



37° JIC Bulkhead Branch Tee

2703 JIC equivalent to the following:

- * SAE 070959
- * Parker WJTX* WLN* S
- * Weatherhead C35725
- * Aeroquip 203002

Use with 306 bulkhead lock nut

Available in stainless steel: SS-2703



PRESSURE RATINGS



DIMENSIONAL DRAWINGS



CROSS REFERENCE

37° JIC BULKHEAD BRANCH TEE

PRINT PAGE

ITEM#	ITEM NAME	OUR PRICE	QTY	
2703-03-03-03	2703-03-03-03 - Branch Tee, 3/16" JIC (3/8"-24 thread) x 3/16" JIC (3/8"-24 thread) x 3/16" JIC (3/8"-24 thread) Bulkhead	\$8.13		
2703-04-04-04	2703-04-04-04 - Branch Tee, 1/4" JIC (7/16"-20 thread) x 1/4" JIC (7/16"-20 thread) x 1/4" JIC (7/16"-20 thread) Bulkhead	\$4.69		
2703-05-05-05	2703-05-05-05 - Branch Tee, 5/16" JIC (1/2"-20) x 5/16" JIC (1/2"-20) x 5/16" JIC (1/2"-20) Bulkhead	\$25.40		
2703-06-06-06	2703-06-06-06 - Branch Tee, 3/8" JIC (9/16"-18 thread) x 3/8" JIC (9/16"-18 thread) x 3/8" JIC (9/16"-18 thread) Bulkhead	\$4.80		
2703-08-08-08	2703-08-08-08 - Branch Tee, 1/2" JIC (3/4"-16 thread) x 1/2" JIC (3/4"-16	\$7.24		

	thread) x 1/2" JIC (3/4"-16 thread) Bulkhead		
2703-10-10-10	2703-10-10-10 - Branch Tee, 5/8" JIC (7/8"-14 thread) x 5/8" JIC (7/8"-14 thread) x 5/8" JIC (7/8"-14 thread) Bulkhead	\$10.58	
2703-12-12-12	2703-12-12-12 - Branch Tee, 3/4" JIC (1 1/16"-12 thread) x 3/4" JIC (1 1/16"-12 thread) x 3/4" JIC (1 1/16"-12 thread) Bulkhead	\$15.36	
2703-16-16-16	2703-16-16-16 - Branch Tee, 1" JIC (1 5/16"-12 thread) x 1" JIC (1 5/16"-12 thread) x 1" JIC (1 5/16"-12 thread) Bulkhead	\$34.03	
2703-20-20-20	2703-20-20-20 - Branch Tee, 1-1/4" JIC (1-5/8"-12 thread) x 1-1/4" JIC (1-5/8"-12 thread) x 1-1/4" JIC (1-5/8"-12 thread) Bulkhead	\$87.06	

Check the items you wish to purchase, then click

ADD TO CART

Features

Material: High pressure carbon steel with zinc trivalent anti-corrosion coating SAE 37° JIC meets SAE J514 specifications and are used for petroleum and mineral oil based fluids in hydraulic applications

Product Details

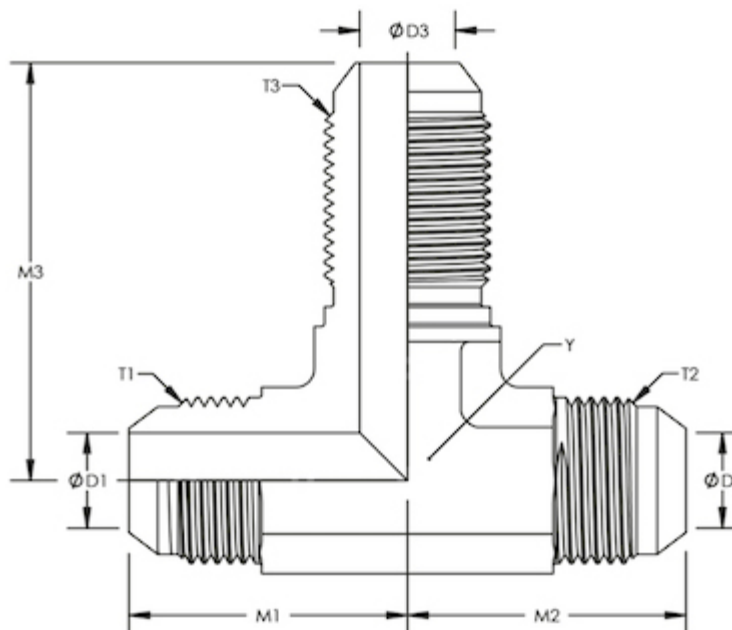
Pressure Ratings:

SAE J514 Pressure Ratings					
Nom. SAE Dash Size	Nom. Tube O.D. Inches	37 Degree Flare Straight Thread	Nom. Pipe Size	SAE St. Threads Union & Bulkhead (PSI)	Fittings With Pipe Threads (PSI)
2	1/8	5/16"-24	1/8"	5000	5000
3	3/16	3/8"-24	1/8"	5000	5000
4	1/4	7/16"-20	1/8"	5000	5000
5	5/16	1/2"-20	1/8"	5000	5000
6	3/8	9/16"-18	1/4"	5000	5000
8	1/2	3/4"-16	3/8"	4500	4000
10	5/8	7/8"-14	1/2"	3500	3000
12	3/4	1 1/16"-12	3/4"	3500	3000
14	7/8	1 3/16"-12	3/4"	3000	2500
16	1	1 5/16"-12	1"	3000	2000
20	1 1/4	1 5/8"-12	1 1/4"	2500	1150

24	1 1/2	1 7/8"-12	1 1/2"	2000	1000
32	2	2 1/2"-12	2"	1500	1000

NOTE: Since many factors influence the pressure at which a system will or will not perform satisfactory, values shown in this table should not be construed as guaranteed minimum.

Dimensional Drawings:



Product ID	Y HEX	T1	M1	D1	T2	M2	D2	T3	M3	D3
SS-2703-03-03-03	0.438	3/8-24	0.94	0.125	3/8-24	0.94	0.125	3/8-24	1.5	0.12
SS-2703-04-04-04	0.438	7/16-20	0.97	0.172	7/16-20	0.97	0.172	7/16-20	1.59	0.17
SS-2703-04-04-06	0.563	7/16-20	1.08	0.172	7/16-20	1.08	0.172	9/16-18	1.81	0.29
SS-2703-05-05-05	0.563	1/2-20	1.06	0.234	1/2-20	1.06	0.234	1/2-20	1.72	0.23
SS-2703-06-06-06	0.563	9/16-18	1.09	0.297	9/16-18	1.09	0.297	9/16-18	1.81	0.29
SS-2703-08-08-08	0.75	3/4-16	1.36	0.391	3/4-16	1.36	0.391	3/4-16	2.11	0.39
SS-2703-10-10-10	0.875	7/8-14	1.56	0.484	7/8-14	1.56	0.484	7/8-14	2.39	0.48
SS-2703-12-12-12	1.063	1-1/16-12	1.78	0.609	1-1/16-12	1.78	0.609	1-1/16-12	2.67	0.60
SS-2703-16-16-16	1.313	1-5/16-12	1.94	0.844	1-5/16-12	1.94	0.844	1-5/16-12	2.8	0.84
SS-2703-20-20-20	1.625	1-5/8-12	2.17	1.078	1-5/8-12	2.17	1.078	1-5/8-12	3.12	1.07

Competitor Cross Reference:

INTERCHANGEABLE WITH:					
ITEM #	AEROQUIP	PARKER	SSP	SAE	MS
2703-02-02-02	259-203002-2-2	2 WJTX-SS	J2BBT	70959	MS51515
2703-03-03-03	259-203002-3-3	3 WJTX-SS	J3BBT	70959	MS51515

2703-04-04-04	259-203002-4-4	4 WJTX-SS	J4BBT	70959	MS51515
2703-05-05-05	259-203002-5-5	5 WJTX-SS	J5BBT	70959	MS51515
2703-06-06-06	259-203002-6-6	6 WJTX-SS	J6BBT	70959	MS51515
2703-08-08-08	259-203002-8-8	8 WJTX-SS	J8BBT	70959	MS51515
2703-10-10-10	259-203002-10-10	10 WJTX-SS	J10BBT	70959	MS51515
2703-12-12-12	259-203002-12-12	12 WJTX-SS	J12BBT	70959	MS51515
2703-14-14-14	259-203002-14-14	14 WJTX-SS	J14BBT	70959	MS51515
2703-16-16-16	259-203002-16-16	16 WJTX-SS	J16BBT	70959	MS51515
2703-20-20-20	259-203002-20-20	20 WJTX-SS	J20BBT	70959	MS51515
2703-24-24-24	259-203002-24-24	24 WJTX-SS	J24BBT	70959	MS51515
2703-32-32-32	259-203002-32-32	32 WJTX-SS	J32BBT	70959	MS51515

Share your knowledge of this product. Be the first to write a review »

ABOUT US

Company Info
 Contact Us
 Careers
 Reference Center

MY ACCOUNT

View Cart
 Sign-In
 Order Status

PRODUCTS

Product Index
 Category Index

HELPFUL INFO

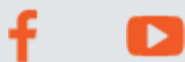
Shipping & Returns
 Privacy Policy
 Terms & Conditions
 Warranty

QUESTIONS? CALL OR TEXT US!

Tel: (866) 620-7320
 Email:
 sales@hydraulicsdirect.com

Copyright 52565 Hydraulics Direct

FOLLOW US



TRUSTED SELLER

