



MY ACCOUNT BLOG

0 \$ 00.00

Home > Steel Adapters > 37 Degree JIC >

2700 -37° JIC BULKHEAD STRAIGHT



(1,2) JIC Male



Alternative Views:



37° JIC Bulkhead Straight

2700 JIC equivalent to the following:

- * SAE 070601
- * Parker WTX* WLN* S
- * Weatherhead C35325
- * Aeroquip 2041
- * Brennan 2700

Use with 306 bulkhead lock nut

Available in stainless steel: SS-2700

PRESSURE
RATINGSDIMENSIONAL
DRAWINGSCROSS
REFERENCE

37° JIC BULKHEAD STRAIGHT

PRINT PAGE

ITEM#	ITEM NAME	OUR PRICE	QTY	
2700-03-03	2700-03-03 - 3/16" JIC (3/8"-24 thread) x 3/16" JIC (3/8"-24 thread) Bulkhead Union	\$3.74		
2700-04-04	2700-04-04 - 1/4" JIC (7/16"-20 thread) x 1/4" JIC (7/16"-20 thread) Bulkhead Union	\$2.53		
2700-05-05	2700-05-05 - 5/16" JIC (1/2"-20) x 5/16" JIC (1/2"-20) Bulkhead Union	\$3.79		
2700-06-06	2700-06-06 - 3/8" JIC (9/16"-18 thread) x 3/8" JIC (9/16"-18 thread) Bulkhead Union	\$1.90		

2700-08-08	2700-08-08 - 1/2" JIC (3/4"-16 thread) x 1/2" JIC (3/4"-16 thread) Bulkhead Union	\$3.30		
2700-10-10	2700-10-10 - 5/8" JIC (7/8"-14 thread) x 5/8" JIC (7/8"-14 thread) Bulkhead Union	\$3.42		
2700-12-12	2700-12-12 - 3/4" JIC (1 1/16"-12 thread) x 3/4" JIC (1 1/16"-12 thread) Bulkhead Union	\$5.57		
2700-14-14	2700-14-14 - 7/8" JIC (1 3/16"-12 thread) x 7/8" JIC (1 3/16"-12 thread) Bulkhead Union	\$11.05		
2700-16-16	2700-16-16 - 1" JIC (1 5/16"-12 thread) x 1" JIC (1 5/16"-12 thread) Bulkhead Union	\$8.45		
2700-20-20	2700-20-20 - 1-1/4" JIC (1-5/8"-12 thread) x 1-1/4" JIC (1-5/8"-12 thread) Bulkhead Union	\$13.03		
2700-24-24	2700-24-24 - 1-1/2" JIC (1-7/8"-12 thread) x 1-1/2" JIC (1-7/8"-12 thread) Bulkhead Union	\$15.78		
2700-32-32	2700-32-32 - 2" JIC (2 1/2"-12 thread) x 2" JIC (2 1/2"-12 thread) Bulkhead Union	\$80.09		

Check the items you wish to purchase, then click

ADD TO CART

Features

Material: High pressure carbon steel with zinc trivalent anti-corrosion coating SAE 37° JIC meets SAE J514 specifications and are used for petroleum and mineral oil based fluids in hydraulic applications

Product Details

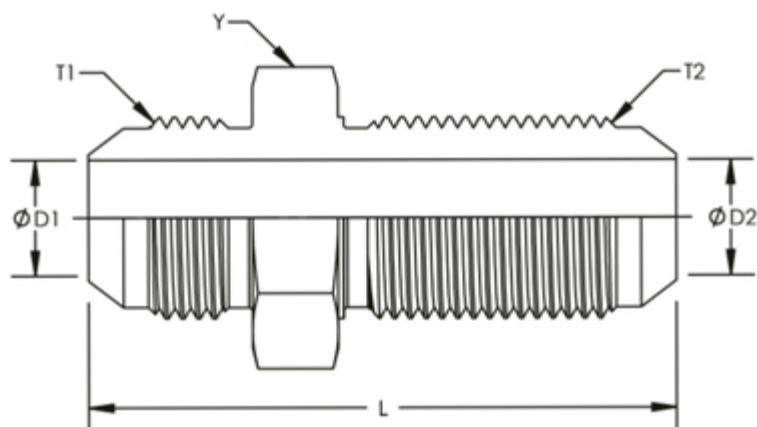
Pressure Ratings:

SAE J514 Pressure Ratings					
Nom. SAE Dash Size	Nom. Tube O.D. Inches	37 Degree Flare Straight Thread	Nom. Pipe Size	SAE St. Threads Union & Bulkhead (PSI)	Fittings With Pipe Threads (PSI)
2	1/8	5/16"-24	1/8"	5000	5000
3	3/16	3/8"-24	1/8"	5000	5000
4	1/4	7/16"-20	1/8"	5000	5000
5	5/16	1/2"-20	1/8"	5000	5000
6	3/8	9/16"-18	1/4"	5000	5000
8	1/2	3/4"-16	3/8"	4500	4000

10	5/8	7/8"-14	1/2"	3500	3000
12	3/4	1 1/16"-12	3/4"	3500	3000
14	7/8	1 3/16"-12	3/4"	3000	2500
16	1	1 5/16"-12	1"	3000	2000
20	1 1/4	1 5/8"-12	1 1/4"	2500	1150
24	1 1/2	1 7/8"-12	1 1/2"	2000	1000
32	2	2 1/2"-12	2"	1500	1000

NOTE: Since many factors influence the pressure at which a system will or will not perform satisfactory, values shown in this table should not be construed as guaranteed minimum.

Dimensional Drawings:



Product ID	Y HEX	T1	D1	T2	D2	L
SS-2700-04-04	0.688	7/16-20	0.172	7/16-20	0.172	2.07
SS-2700-04-06	0.813	7/16-20	0.172	9/16-18	0.297	2.170
SS-2700-05-05	0.750	1/2-20	0.234	1/2-20	0.234	2.070
SS-2700-06-04	0.813	9/16-18	0.297	7/16-20	0.172	2.170
SS-2700-06-06	0.813	9/16-18	0.297	9/16-18	0.297	2.180
SS-2700-08-08	1.000	3/4-16	0.391	3/4-16	0.391	2.440
SS-2700-10-10	1.125	7/8-14	0.484	7/8-14	0.484	2.740
SS-2700-12-12	1.375	1-1/16-12	0.609	1-1/16-12	0.609	3.090
SS-2700-14-14	1.500	1-3/16-12	0.719	1-3/16-12	0.719	3.120
SS-2700-16-16	1.625	1-5/16-12	0.844	1-5/16-12	0.844	3.140
SS-2700-20-20	1.875	1-5/8-12	1.078	1-5/8-12	1.078	3.310
SS-2700-24-24	2.125	1-7/8-12	1.313	1-7/8-12	1.313	3.52

Competitor Cross Reference:

INTERCHANGEABLE WITH:

ITEM #	AEROQUIP	PARKER	SSP	SAE	MS
2700-02-02	259-2041-2-2	2 WTX-SS	J2BU	70601	MS51520
2700-02-04	259-2041-3-3	3 WTX-SS	J3BU	70601	MS51520
2700-03-03	259-2041-4-4	4 WTX-SS	J4BU	70601	MS51520
2700-04-04	259-2041-5-5	5 WTX-SS	J5BU	70601	MS51520
2700-06-06	259-2041-6-6	6 WTX-SS	J6BU	70601	MS51520
2700-08-08	259-2041-8-8	8 WTX-SS	J8BU	70601	MS51520
2700-10-10	259-2041-10-10	10 WTX-SS	J10BU	70601	MS51520
2700-12-12	259-2041-12-12	12 WTX-SS	J12BU	70601	MS51520
2700-14-14	259-2041-14-14	14 WTX-SS	J14BU	70601	MS51520
2700-16-16	259-2041-16-16	16 WTX-SS	J16BU	70601	MS51520
2700-20-20	259-2041-20-20	20 WTX-SS	J20BU	70601	MS51520
2700-24-24	259-2041-24-24	24 WTX-SS	J24BU	70601	MS51520
2700-32-32	259-2041-32-32	32 WTX-SS	J32BU	70601	MS51520

Share your knowledge of this product. Be the first to write a review »

ABOUT US

- Company Info
- Contact Us
- Careers
- Reference Center

MY ACCOUNT

- View Cart
- Sign-In
- Order Status

PRODUCTS

- Product Index
- Category Index

HELPFUL INFO

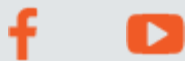
- Shipping & Returns
- Privacy Policy
- Terms & Conditions
- Warranty

QUESTIONS? CALL OR TEXT US!

Tel: (866) 620-7320
 Email: sales@hydraulicsdirect.com

Copyright 52565 Hydraulics Direct

FOLLOW US



TRUSTED SELLER

