

[MY ACCOUNT](#) [BLOG](#)[0 \\$ 00.00](#)[Home](#) > [Steel Adapters](#) > [37 Degree JIC](#) >

## 2702 -37° JIC BULKHEAD UNION 45° ELBOW



(1,2) JIC Male



Alternative Views:



### 37° JIC Bulkhead Union 45° Elbow

2702 JIC equivalent to the following:

- \* SAE 070801
- \* Parker WNTX\* WLN\* S
- \* Weatherhead C35375
- \* Aeroquip 2042

Use with 306 bulkhead lock nut

Available in stainless steel: SS-2702

PRESSURE  
RATINGSDIMENSIONAL  
DRAWINGSCROSS  
REFERENCE

## 37° JIC BULKHEAD UNION 45° ELBOW

[PRINT PAGE](#)

| ITEM#      | ITEM NAME  | OUR PRICE     | QTY |  |
|------------|--|---------------|-----|--|
| 2702-03-03 | 2702-03-03 - 45° Elbow, 3/16" JIC (3/8"-24 thread) x 3/16" JIC (3/8"-24 thread) Bulkhead | <b>\$4.71</b> |     |  |
| 2702-04-04 | 2702-04-04 - 45° Elbow, 1/4" JIC (7/16"-20 thread) x 1/4" JIC (7/16"-20 thread) Bulkhead | <b>\$4.73</b> |     |  |
| 2702-05-05 | 2702-05-05 - 45° Elbow, 5/16" JIC (1/2"-20) x 5/16" JIC (1/2"-20) Bulkhead               | <b>\$6.39</b> |     |  |
| 2702-06-06 | 2702-06-06 - 45° Elbow, 3/8" JIC (9/16"-18 thread) x 3/8" JIC (9/16"-18 thread) Bulkhead | <b>\$3.81</b> |     |  |
| 2702-08-08 | 2702-08-08 - 45° Elbow, 1/2" JIC (3/4"-16 thread) x 1/2" JIC (3/4"-16                    | <b>\$5.83</b> |     |  |

|            | thread) Bulkhead   |                |  |  |
|------------|--|----------------|--|--|
| 2702-10-10 | 2702-10-10 - 45° Elbow, 5/8" JIC (7/8"-14 thread) x 5/8" JIC (7/8"-14 thread) Bulkhead         | <b>\$8.46</b>  |  |  |
| 2702-12-12 | 2702-12-12 - 45° Elbow, 3/4" JIC (1 1/16"-12 thread) x 3/4" JIC (1 1/16"-12 thread) Bulkhead   | <b>\$11.21</b> |  |  |
| 2702-16-16 | 2702-16-16 - 45° Elbow, 1" JIC (1 5/16"-12 thread) x 1" JIC (1 5/16"-12 thread) Bulkhead       | <b>\$17.63</b> |  |  |
| 2702-20-20 | 2702-20-20 - 45° Elbow, 1-1/4" JIC (1-5/8"-12 thread) x 1-1/4" JIC (1-5/8"-12 thread) Bulkhead | <b>\$48.32</b> |  |  |

Check the items you wish to purchase, then click

**ADD TO CART**

## Features

Material: High pressure carbon steel with zinc trivalent anti-corrosion coating SAE 37° JIC meets SAE J514 specifications and are used for petroleum and mineral oil based fluids in hydraulic applications

## Product Details

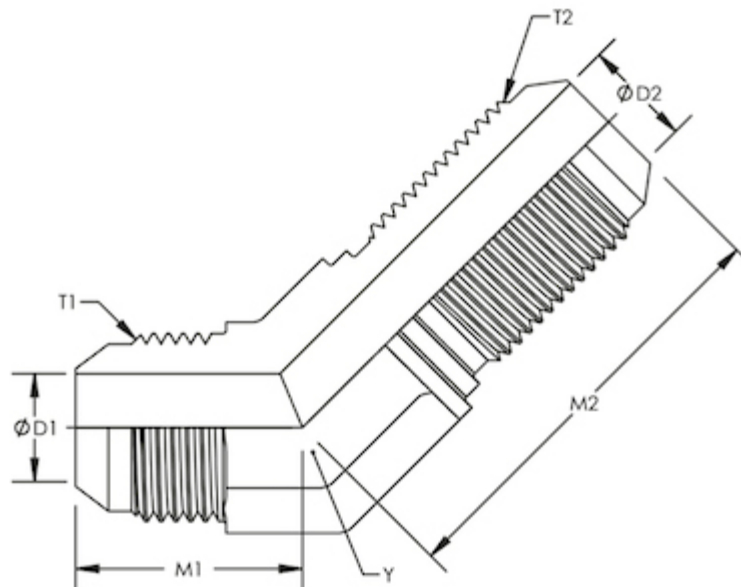
## Pressure Ratings:

| SAE J514 Pressure Ratings |                       |                                 |                |  |                                  |
|---------------------------|-----------------------|---------------------------------|----------------|--|----------------------------------|
| Nom. SAE Dash Size        | Nom. Tube O.D. Inches | 37 Degree Flare Straight Thread | Nom. Pipe Size | SAE St. Threads Union & Bulkhead (PSI) | Fittings With Pipe Threads (PSI) |
| 2                         | 1/8                   | 5/16"-24                        | 1/8"           | 5000                                   | 5000                             |
| 3                         | 3/16                  | 3/8"-24                         | 1/8"           | 5000                                   | 5000                             |
| 4                         | 1/4                   | 7/16"-20                        | 1/8"           | 5000                                   | 5000                             |
| 5                         | 5/16                  | 1/2"-20                         | 1/8"           | 5000                                   | 5000                             |
| 6                         | 3/8                   | 9/16"-18                        | 1/4"           | 5000                                   | 5000                             |
| 8                         | 1/2                   | 3/4"-16                         | 3/8"           | 4500                                   | 4000                             |
| 10                        | 5/8                   | 7/8"-14                         | 1/2"           | 3500                                   | 3000                             |
| 12                        | 3/4                   | 1 1/16"-12                      | 3/4"           | 3500                                   | 3000                             |
| 14                        | 7/8                   | 1 3/16"-12                      | 3/4"           | 3000                                   | 2500                             |
| 16                        | 1                     | 1 5/16"-12                      | 1"             | 3000                                   | 2000                             |
| 20                        | 1 1/4                 | 1 5/8"-12                       | 1 1/4"         | 2500                                   | 1150                             |

|    |       |           |        |      |      |
|----|-------|-----------|--------|------|------|
| 24 | 1 1/2 | 1 7/8"-12 | 1 1/2" | 2000 | 1000 |
| 32 | 2     | 2 1/2"-12 | 2"     | 1500 | 1000 |

NOTE: Since many factors influence the pressure at which a system will or will not perform satisfactory, values shown in this table should not be construed as guaranteed minimum.

### Dimensional Drawings:



| Product ID    | Y HEX | T1        | M1   | D1    | T2        | M2   | D2    |
|---------------|-------|-----------|------|-------|-----------|------|-------|
| SS-2702-03-03 | 0.438 | 3/8-24    | 0.69 | 0.125 | 3/8-24    | 1.42 | 0.125 |
| SS-2702-04-04 | 0.438 | 7/16-20   | 0.72 | 0.172 | 7/16-20   | 1.53 | 0.172 |
| SS-2702-05-05 | 0.563 | 1/2-20    | 0.77 | 0.234 | 1/2-20    | 1.66 | 0.234 |
| SS-2702-06-06 | 0.563 | 9/16-18   | 0.83 | 0.297 | 9/16-18   | 1.67 | 0.297 |
| SS-2702-08-06 | 0.75  | 3/4-16    | 0.98 | 0.391 | 9/16-18   | 1.83 | 0.297 |
| SS-2702-08-08 | 0.75  | 3/4-16    | 0.98 | 0.391 | 3/4-16    | 1.94 | 0.391 |
| SS-2702-10-10 | 0.875 | 7/8-14    | 1.11 | 0.484 | 7/8-14    | 2.17 | 0.484 |
| SS-2702-12-12 | 1.063 | 1-1/16-12 | 1.28 | 0.609 | 1-1/16-12 | 2.44 | 0.609 |
| SS-2702-16-16 | 1.313 | 1-5/16-12 | 1.47 | 0.844 | 1-5/16-12 | 2.56 | 0.844 |
| SS-2702-20-20 | 1.625 | 1-5/8-12  | 1.59 | 1.078 | 1-5/8-12  | 2.65 | 1.078 |
| SS-2702-24-24 | 1.875 | 1-7/8-12  | 1.78 | 1.313 | 1-7/8-12  | 2.67 | 1.313 |

### Competitor Cross Reference:

| INTERCHANGEABLE WITH: |              |           |         |       |         |
|-----------------------|--------------|-----------|---------|-------|---------|
| ITEM #                | AEROQUIP     | PARKER    | SSP     | SAE   | MS      |
| 2702-03-03            | 259-2042-3-3 | 3 WNTX-SS | J3BE-45 | 70801 | MS51509 |
| 2702-04-04            | 259-2042-4-4 | 4 WNTX-SS | J4BE-45 | 70801 | MS51509 |

|            |                |            |          |       |         |
|------------|----------------|------------|----------|-------|---------|
| 2702-06-06 | 259-2042-6-6   | 6 WNTX-SS  | J6BE-45  | 70801 | MS51509 |
| 2702-08-08 | 259-2042-8-8   | 8 WNTX-SS  | J8BE-45  | 70801 | MS51509 |
| 2702-10-10 | 259-2042-10-10 | 10 WNTX-SS | J10BE-45 | 70801 | MS51509 |
| 2702-12-12 | 259-2042-12-12 | 12 WNTX-SS | J12BE-45 | 70801 | MS51509 |
| 2702-16-16 | 259-2042-16-16 | 16 WNTX-SS | J16BE-45 | 70801 | MS51509 |
| 2702-20-20 | 259-2042-20-20 | 20 WNTX-SS | J20BE-45 | 70801 | MS51509 |
| 2702-24-24 | 259-2042-24-24 | 24 WNTX-SS | J24BE-45 | 70801 | MS51509 |
| 2702-32-32 | 259-2042-32-32 | 32 WNTX-SS | J32BE-45 | 70801 | MS51509 |

Share your knowledge of this product. Be the first to write a review »

#### ABOUT US

Company Info  
 Contact Us  
 Careers  
 Reference Center

#### MY ACCOUNT

View Cart  
 Sign-In  
 Order Status

#### PRODUCTS

Product Index  
 Category Index

#### HELPFUL INFO

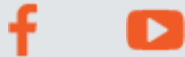
Shipping & Returns  
 Privacy Policy  
 Terms & Conditions  
 Warranty

#### QUESTIONS? CALL OR TEXT US!

Tel: (866) 620-7320  
 Email:  
 sales@hydraulicsdirect.com

Copyright 52565 Hydraulics Direct

### FOLLOW US



### TRUSTED SELLER

