



MY ACCOUNT BLOG

0 \$ 00.00

Home > Steel Adapters > 37 Degree JIC >

2406 -37° FEMALE JIC X 37° JIC MALE TUBE EXPANDER - REDUCER



37° Female JIC x 37° JIC Male Tube Expander - Reducer

2406 JIC equivalent to the following:

- * SAE 070123
- * Parker Hydraulics TRTX
- * Parker TRTXN
- * Aeroquip 2015
- * Aeroquip 221501
- * Weatherhead C5015

(1) JIC Female, (2) JIC Male



Alternative Views:



PRESSURE RATINGS



DIMENSIONAL DRAWINGS



CROSS REFERENCE

37° FEMALE JIC X 37° JIC MALE TUBE EXPANDER - REDUCER

PRINT PAGE

ITEM#	ITEM NAME	OUR PRICE	QTY	
2406-04-06	2406-04-06 - 1/4" JIC (7/16"-20 thread) Female x 3/8" JIC (9/16"-18 thread) Male	\$2.90		
2406-05-04	2406-05-04 - 5/16" JIC (1/2"-20) Female x 1/4" JIC (7/16"-20 thread) Male	\$9.61		
2406-06-04	2406-06-04 - 3/8" JIC (9/16"-18 thread) Female x 1/4" JIC (7/16"-20 thread) Male	\$1.09		
2406-06-05	2406-06-05 - 3/8" JIC (9/16"-18 thread) Female x 5/16" JIC (1/2"-20) Male	\$6.11		

2406-06-08	2406-06-08 - 3/8" JIC (9/16"-18 thread) Female x 1/2" JIC (3/4"-16 thread) Male	\$2.37		
2406-08-04	2406-08-04 - 1/2" JIC (3/4"-16 thread) Female x 1/4" JIC (7/16"-20 thread) Male	\$2.14		
2406-08-06	2406-08-06 - 1/2" JIC (3/4"-16 thread) Female x 3/8" JIC (9/16"-18 thread) Male	\$1.55		
2406-08-10	2406-08-10 - 1/2" JIC (3/4"-16 thread) Female x 5/8" JIC (7/8"-14 thread) Male	\$8.37		
2406-08-12	2406-08-12 - 1/2" JIC (3/4"-16 thread) Female x 3/4" JIC (1 1/16"-12 thread) Male	\$11.53		
2406-10-04	2406-10-04 - 5/8" JIC (7/8"-14 thread) Female x 1/4" JIC (7/16"-20 thread) Male	\$3.02		
2406-10-06	2406-10-06 - 5/8" JIC (7/8"-14 thread) Female x 3/8" JIC (9/16"-18 thread) Male	\$2.76		
2406-10-08	2406-10-08 - 5/8" JIC (7/8"-14 thread) Female x 1/2" JIC (3/4"-16 thread) Male	\$1.92		
2406-10-12	2406-10-12 - 5/8" JIC (7/8"-14 thread) Female x 3/4" JIC (1 1/16"-12 thread) Male	\$7.24		
2406-12-04	2406-12-04 - 3/4" JIC (1 1/16"-12 thread) Female x 1/4" JIC (7/16"-20 thread) Male	\$6.20		
2406-12-06	2406-12-06 - 3/4" JIC (1 1/16"-12 thread) Female x 3/8" JIC (9/16"-18 thread) Male	\$4.37		
2406-12-08	2406-12-08 - 3/4" JIC (1 1/16"-12 thread) Female x 1/2" JIC (3/4"-16 thread) Male	\$2.72		
2406-12-10	2406-12-10 - 3/4" JIC (1 1/16"-12 thread) Female x 5/8" JIC (7/8"-14 thread) Male	\$3.02		
2406-12-16	2406-12-16 - 3/4" JIC (1 1/16"-12 thread) Female x 1" JIC (1 5/16"-12 thread) Male	\$4.55		
2406-14-06	2406-14-06 - 7/8" JIC (1 3/16"-12 thread) Female x 3/8" JIC (9/16"-18 thread) Male	\$32.80		
2406-14-08	2406-14-08 - 7/8" JIC (1 3/16"-12 thread) Female x 1/2" JIC (3/4"-16 thread) Male	\$20.36		
2406-14-10	2406-14-10 - 7/8" JIC (1 3/16"-12 thread) Female x 5/8" JIC (7/8"-14 thread) Male	\$10.61		
2406-14-12	2406-14-12 - 7/8" JIC (1 3/16"-12 thread) Female x 3/4" JIC (1 1/16"-12 thread) Male	\$8.41		
2406-16-04	2406-16-04 - 1" JIC (1 5/16"-12 thread) Female x 1/4" JIC (7/16"-20 thread) Male	\$8.67		
2406-16-06	2406-16-06 - 1" JIC (1 5/16"-12 thread) Female x 3/8" JIC (9/16"-18 thread) Male	\$12.37		
2406-16-08	2406-16-08 - 1" JIC (1 5/16"-12 thread) Female x 1/2" JIC (3/4"-16 thread) Male	\$5.98		
2406-16-10	2406-16-10 - 1" JIC (1 5/16"-12 thread) Female x 5/8" JIC (7/8"-14 thread) Male	\$6.60		

	Male			
2406-16-12	2406-16-12 - 1" JIC (1 5/16"-12 thread) Female x 3/4" JIC (1 1/16"-12 thread) Male	\$5.13		
2406-16-14	2406-16-14 - 1" JIC (1 5/16"-12 thread) Female x 7/8" JIC (1 3/16"-12 thread) Male	\$8.41		
2406-16-20	2406-16-20 - 1" JIC (1 5/16"-12 thread) Female x 1-1/4" JIC (1-5/8"-12 thread) Male	\$13.79		
2406-20-08	2406-20-08 - 1-1/4" JIC (1-5/8"-12 thread) Female x 1/2" JIC (3/4"-16 thread) Male	\$68.78		
2406-20-12	2406-20-12 - 1-1/4" JIC (1-5/8"-12 thread) Female x 3/4" JIC (1 1/16"-12 thread) Male	\$11.04		
2406-20-16	2406-20-16 - 1-1/4" JIC (1-5/8"-12 thread) Female x 1" JIC (1 5/16"-12 thread) Male	\$8.67		
2406-20-24	2406-20-24 - 1-1/4" JIC (1-5/8"-12 thread) Female x 1-1/2" JIC (1-7/8"-12 thread) Male	\$16.01		
2406-24-08	2406-24-08 - 1-1/2" JIC (1-7/8"-12 thread) Female x 1/2" JIC (3/4"-16 thread) Male	\$34.68		
2406-24-12	2406-24-12 - 1-1/2" JIC (1-7/8"-12 thread) Female x 3/4" JIC (1 1/16"-12 thread) Male	\$29.57		
2406-24-16	2406-24-16 - 1-1/2" JIC (1-7/8"-12 thread) Female x 1" JIC (1 5/16"-12 thread) Male	\$33.83		
2406-24-20	2406-24-20 - 1-1/2" JIC (1-7/8"-12 thread) Female x 1-1/4" JIC (1-5/8"-12 thread) Male	\$18.97		
2406-24-32	2406-24-32 - 1-1/2" JIC (1-7/8"-12 thread) Female x 2" JIC (2 1/2"-12 thread) Male	\$38.04		
2406-32-20	2406-32-20 - 2" JIC (2 1/2"-12 thread) Female x 1-1/4" JIC (1-5/8"-12 thread) Male	\$79.70		
2406-32-24	2406-32-24 - 2" JIC (2 1/2"-12 thread) Female x 1-1/2" JIC (1-7/8"-12 thread) Male	\$41.81		

Check the items you wish to purchase, then click

ADD TO CART

Features

Material: High pressure carbon steel with zinc trivalent anti-corrosion coating SAE 37° JIC meets SAE J514 specifications and are used for petroleum and mineral oil based fluids in hydraulic applications

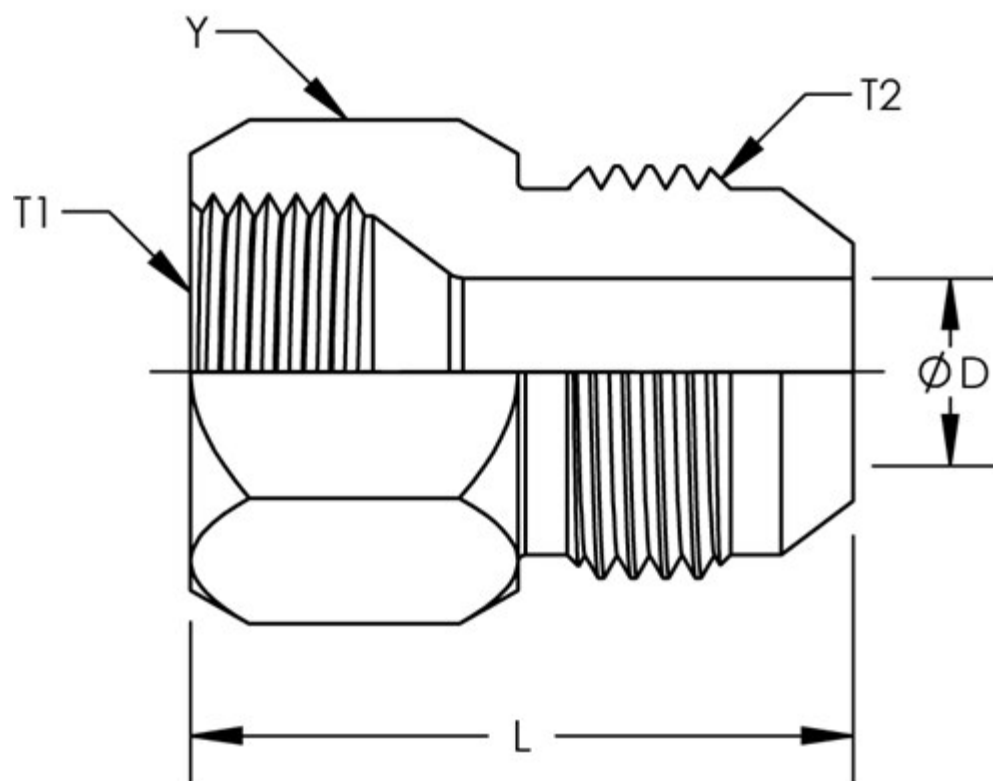
Product Details

Pressure Ratings:

SAE J514 Pressure Ratings					
Nom. SAE Dash Size	Nom. Tube O.D. Inches	37 Degree Flare Straight Thread	Nom. Pipe Size	SAE St. Threads Union & Bulkhead (PSI)	Fittings With Pipe Threads (PSI)
2	1/8	5/16"-24	1/8"	5000	5000
3	3/16	3/8"-24	1/8"	5000	5000
4	1/4	7/16"-20	1/8"	5000	5000
5	5/16	1/2"-20	1/8"	5000	5000
6	3/8	9/16"-18	1/4"	5000	5000
8	1/2	3/4"-16	3/8"	4500	4000
10	5/8	7/8"-14	1/2"	3500	3000
12	3/4	1 1/16"-12	3/4"	3500	3000
14	7/8	1 3/16"-12	3/4"	3000	2500
16	1	1 5/16"-12	1"	3000	2000
20	1 1/4	1 5/8"-12	1 1/4"	2500	1150
24	1 1/2	1 7/8"-12	1 1/2"	2000	1000
32	2	2 1/2"-12	2"	1500	1000

NOTE: Since many factors influence the pressure at which a system will or will not perform satisfactory, values shown in this table should not be construed as guaranteed minimum.

Dimensional Drawings:



Product ID	Y HEX	T1	D	T2	L
SS-2406-04-02	0.563	7/16-20	0.063	5/16-24	1.042
SS-2406-04-06	0.688	7/16-20	0.172	9/16-18	1.15
SS-2406-04-08	0.813	7/16-20	0.391	3/4-16	1.251
SS-2406-05-04	0.625	1/2-20	0.172	7/16-20	1.159
SS-2406-06-04	0.688	9/16-18	0.172	7/16-20	1.175
SS-2406-06-06	0.688	9/16-18	0.297	9/16-18	1.181
SS-2406-06-08	0.813	9/16-18	0.297	3/4-16	1.282
SS-2406-08-04	0.875	3/4-16	0.172	7/16-20	1.3
SS-2406-08-06	0.875	3/4-16	0.297	9/16-18	1.306
SS-2406-08-10	0.938	3/4-16	0.391	7/8-14	1.508
SS-2406-08-12	1.125	3/4-16	0.609	1-1/16-12	1.614
SS-2406-08-16	1.375	3/4-16	0.844	1-5/16-12	1.661
SS-2406-10-04	1	7/8-14	0.172	7/16-20	1.394
SS-2406-10-06	1	7/8-14	0.297	9/16-18	1.4
SS-2406-10-08	1	7/8-14	0.391	3/4-16	1.501

SS-2406-10-12	1.125	7/8-14	0.484	1-1/16-12	1.708
SS-2406-12-04	1.25	1-1/16-12	0.172	7/16-20	1.456
SS-2406-12-06	1.25	1-1/16-12	0.297	9/16-18	1.462
SS-2406-12-08	1.25	1-1/16-12	0.391	3/4-16	1.563
SS-2406-12-10	1.25	1-1/16-12	0.484	7/8-14	1.664
SS-2406-12-16	1.5	1-1/16-12	0.844	1-5/16-12	1.817
SS-2406-12-20	1.688	1-1/16-12	1.078	1-5/8-12	1.864
SS-2406-14-06	1.375	1-3/16-12	0.297	9/16-18	1.525
SS-2406-14-08	1.375	1-3/16-12	0.391	3/4-16	1.626
SS-2406-14-10	1.375	1-3/16-12	0.484	7/8-14	1.727
SS-2406-14-12	1.375	1-3/16-12	0.609	1-1/16-12	1.833
SS-2406-16-04	1.5	1-5/16-12	0.172	7/16-20	1.566
SS-2406-16-06	1.5	1-5/16-12	0.297	9/16-18	1.572
SS-2406-16-08	1.5	1-5/16-12	0.391	3/4-16	1.673
SS-2406-16-10	1.5	1-5/16-12	0.484	7/8-14	1.774
SS-2406-16-12	1.5	1-5/16-12	0.609	1-1/16-12	1.880
SS-2406-16-14	1.5	1-5/16-12	0.719	1-3/16-12	1.906
SS-2406-16-20	1.688	1-5/16-12	1.078	1-5/8-12	1.974
SS-2406-16-24	2	1-5/16-12	1.313	1-7/8-12	2.099
SS-2406-20-12	2	1-5/8-12	0.609	1-1/16-12	1.926
SS-2406-20-16	2	1-5/8-12	0.844	1-5/16-12	1.973
SS-2406-20-24	2	1-5/8-12	1.313	1-7/8-12	2.145
SS-2406-24-12	2.250	1-7/8-12	0.609	1-1/16-12	2.052
SS-2406-24-16	2.250	1-7/8-12	0.844	1-5/16-12	2.099
SS-2406-24-20	2.250	1-7/8-12	1.078	1-5/8-12	2.146
SS-2406-24-32	2.625	1-7/8-12	1.313	2-1/2-12	2.521
SS-2406-32-24	2.875	2-1/2-12	1.313	1-7/8-12	2.521

Competitor Cross Reference:

INTERCHANGEABLE WITH:					
SHF	AEROQUIP	PARKER	SSP	SAE	MS
2406-04-06	-	-	-	70123	MS39323
2406-04-08	-	-	-	70123	MS39323

2406-01-10	-	-	-	70123	MS39323
2406-06-04	259-221501-6-4	6-4 TRTXN-SS	J6-4TER1	70123	MS39323
2406-06-08	-	-	-	70123	MS39323
2406-08-04	259-221501-8-4	8-4 TRTXN-SS	J8-4TER1	70123	MS39323
2406-08-06	259-221501-8-6	8-6 TRTXN-SS	J8-6TER1	70123	MS39323
2406-08-10	-	-	-	70123	MS39323
2406-08-12	-	-	-	70123	MS39323
2406-10-04	259-221501-10-4	10-4 TRTXN-SS	J10-4TER1	70123	MS39323
2406-10-06	259-221501-10-6	10-6 TRTXN-SS	J10-6TER1	70123	MS39323
2406-10-08	259-221501-10-8	10-8 TRTXN-SS	J10-8TER1	70123	MS39323
2406-10-12	-	-	-	70123	MS39323
2406-12-04	259-221501-12-4	12-4 TRTXN-SS	J12-4TER1	70123	MS39323
2406-12-06	259-221501-12-6	12-6 TRTXN-SS	J12-6TER1	70123	MS39323
2406-12-08	259-221501-12-8	12-8 TRTXN-SS	J12-8TER1	70123	MS39323
2406-12-10	259-221501-12-10	12-10 TRTXN-SS	J12-10TER1	70123	MS39323
2406-12-16	-	-	-	70123	MS39323
2406-16-04	259-221501-16-4	16-4 TRTXN-SS	J16-4TER1	70123	MS39323
2406-16-06	259-221501-16-6	16-6 TRTXN-SS	J16-6TER1	70123	MS39323
2406-16-08	259-221501-16-8	16-8 TRTXN-SS	J16-8TER1	70123	MS39323
2406-16-12	259-221501-16-12	16-12 TRTXN-SS	J16-12TER1	70123	MS39323
2406-16-20	-	-	-	70123	MS39323
2406-20-06	259-221501-20-06	20-6 TRTXN-SS	J20-6TER1	70123	MS39323
2406-20-08	259-221501-20-08	20-8 TRTXN-SS	J20-8TER1	70123	MS39323
2406-20-12	259-221501-20-12	20-12 TRTXN-SS	J20-12TER1	70123	MS39323
2406-20-16	259-221501-20-16	20-16 TRTXN-SS	J20-16TER1	70123	MS39323
2406-24-08	259-221501-24-08	24-8 TRTXN-SS	J24-8TER1	70123	MS39323
2406-24-12	259-221501-24-12	24-12 TRTXN-SS	J24-12TER1	70123	MS39323
2406-24-16	259-221501-24-16	24-16 TRTXN-SS	J24-16TER1	70123	MS39323
2406-24-20	259-221501-24-20	24-20 TRTXN-SS	J24-20TER1	70123	MS39323
2406-32-24	259-221501-32-24	32-24 TRTXN-SS	J32-24TER1	70123	MS39323

Share your knowledge of this product. Be the first to write a review »

[ABOUT US](#)

[MY ACCOUNT](#)

[PRODUCTS](#)

[HELPFUL INFO](#)

[QUESTIONS? CALL OR](#)

[Company Info](#)

[View Cart](#)

[Product Index](#)

[Shipping & Returns](#)

TEXT US!

[Contact Us](#)

[Sign-In](#)

[Category Index](#)

[Privacy Policy](#)

Tel: (866) 620-7320

[Careers](#)

[Order Status](#)

[Terms & Conditions](#)

Email:

[Reference Center](#)

[Warranty](#)

sales@hydraulicsdirect.com

Copyright 52540 Hydraulics Direct

FOLLOW US



TRUSTED SELLER

