



MY ACCOUNT    BLOG

0 \$ 00.00

Home > Steel Adapters > 37 Degree JIC >

## 2403 -37° JIC SAE FLARE MALE TUBE UNION



### 37° JIC SAE Flare Male Tube Union

2403 JIC are equivalent to the following:

- \* SAE 070101
- \* Parker Hydraulics HTX
- \* Parker 0303
- \* Weatherhead C5305
- \* Aeroquip 2027

Available in stainless steel: SS-2403

(1,2) JIC Male



Alternative Views:



PRESSURE RATINGS



DIMENSIONAL DRAWINGS



CROSS REFERENCE

## 37° JIC SAE FLARE MALE TUBE UNION

PRINT PAGE

ITEM#	ITEM NAME	OUR PRICE	QTY	
2403-02-02	2403-02-02 - Tube Union, 1/8" JIC (5/16"-24 thread) x 1/8" JIC (5/16"-24 thread)	\$12.71		
2403-03-03	2403-03-03 - Tube Union, 3/16" JIC (3/8"-24 thread) x 3/16" JIC (3/8"-24 thread)	\$12.85		
2403-04-02	2403-04-02 - Tube Union, 1/4" JIC (7/16"-20 thread) x 1/8" JIC (5/16"-24 thread)	\$10.93		
2403-04-03	2403-04-03 - Tube Union, 1/4" JIC (7/16"-20 thread) x 3/16" JIC (3/8"-24 thread)	\$11.59		
2403-04-04	2403-04-04 - Tube Union, 1/4" JIC (7/16"-20 thread) x 1/4" JIC (7/16"-20	\$0.65		

	thread)			
2403-05-04	2403-05-04 - Tube Union, 5/16" JIC (1/2"-20) x 1/4" JIC (7/16"-20 thread)	<b>\$5.48</b>		
2403-05-05	2403-05-05 - Tube Union, 5/16" JIC (1/2"-20) x 5/16" JIC (1/2"-20)	<b>\$1.06</b>		
2403-06-04	2403-06-04 - Tube Union, 3/8" JIC (9/16"-18 thread) x 1/4" JIC (7/16"-20 thread)	<b>\$1.31</b>		
2403-06-05	2403-06-05 - Tube Union, 3/8" JIC (9/16"-18 thread) x 5/16" JIC (1/2"-20)	<b>\$4.55</b>		
2403-06-06	2403-06-06 - Tube Union, 3/8" JIC (9/16"-18 thread) x 3/8" JIC (9/16"-18 thread)	<b>\$0.71</b>		
2403-08-04	2403-08-04 - Tube Union, 1/2" JIC (3/4"-16 thread) x 1/4" JIC (7/16"-20 thread)	<b>\$4.10</b>		
2403-08-06	2403-08-06 - Tube Union, 1/2" JIC (3/4"-16 thread) x 3/8" JIC (9/16"-18 thread)	<b>\$1.76</b>		
2403-08-08	2403-08-08 - Tube Union, 1/2" JIC (3/4"-16 thread) x 1/2" JIC (3/4"-16 thread)	<b>\$1.28</b>		
2403-10-06	2403-10-06 - Tube Union, 5/8" JIC (7/8"-14 thread) x 3/8" JIC (9/16"-18 thread)	<b>\$3.98</b>		
2403-10-08	2403-10-08 - Tube Union, 5/8" JIC (7/8"-14 thread) x 1/2" JIC (3/4"-16 thread)	<b>\$2.65</b>		
2403-10-10	2403-10-10 - Tube Union, 5/8" JIC (7/8"-14 thread) x 5/8" JIC (7/8"-14 thread)	<b>\$1.71</b>		
2403-12-06	2403-12-06 - Tube Union, 3/4" JIC (1 1/16"-12 thread) x 3/8" JIC (9/16"-18 thread)	<b>\$10.73</b>		
2403-12-08	2403-12-08 - Tube Union, 3/4" JIC (1 1/16"-12 thread) x 1/2" JIC (3/4"-16 thread)	<b>\$2.90</b>		
2403-12-10	2403-12-10 - Tube Union, 3/4" JIC (1 1/16"-12 thread) x 5/8" JIC (7/8"-14 thread)	<b>\$3.37</b>		
2403-12-12	2403-12-12 - Tube Union, 3/4" JIC (1 1/16"-12 thread) x 3/4" JIC (1 1/16"-12 thread)	<b>\$2.34</b>		
2403-14-12	2403-14-12 - Tube Union, 7/8" JIC (1 3/16"-12 thread) x 3/4" JIC (1 1/16"-12 thread)	<b>\$7.05</b>		
2403-14-14	2403-14-14 - Tube Union, 7/8" JIC (1 3/16"-12 thread) x 7/8" JIC (1 3/16"-12 thread)	<b>\$5.27</b>		
2403-16-12	2403-16-12 - Tube Union, 1" JIC (1 5/16"-12 thread) x 3/4" JIC (1 1/16"-12 thread)	<b>\$4.80</b>		
2403-16-16	2403-16-16 - Tube Union, 1" JIC (1 5/16"-12 thread) x 1" JIC (1 5/16"-12 thread)	<b>\$3.57</b>		
2403-20-12	2403-20-12 - Tube Union, 1-1/4" JIC (1-5/8"-12 thread) x 3/4" JIC (1 1/16"-12 thread)	<b>\$33.20</b>		
2403-20-16	2403-20-16 - Tube Union, 1-1/4" JIC (1-5/8"-12 thread) x 1" JIC (1	<b>\$8.07</b>		

	5/16"-12 thread)		
2403-20-20	2403-20-20 - Tube Union, 1-1/4" JIC (1-5/8"-12 thread) x 1-1/4" JIC (1-5/8"-12 thread)	<b>\$6.70</b>	
2403-24-16	2403-24-16 - Tube Union, 1-1/2" JIC (1-7/8"-12 thread) x 1" JIC (1-5/16"-12 thread)	<b>\$31.47</b>	
2403-24-20	2403-24-20 - Tube Union, 1-1/2" JIC (1-7/8"-12 thread) x 1-1/4" JIC (1-5/8"-12 thread)	<b>\$25.63</b>	
2403-24-24	2403-24-24 - Tube Union, 1-1/2" JIC (1-7/8"-12 thread) x 1-1/2" JIC (3/4"-16 thread)	<b>\$9.85</b>	
2403-32-24	2403-32-24 - Tube Union, 2" JIC (2 1/2"-12 thread) x 1-1/2" JIC (1-7/8"-12 thread)	<b>\$223.66</b>	
2403-32-32	2403-32-32 - Tube Union, 2" JIC (2 1/2"-12 thread) x 2" JIC (2 1/2"-12 thread)	<b>\$29.07</b>	

Check the items you wish to purchase, then click

**ADD TO CART**

## Features

Material: High pressure carbon steel with zinc trivalent anti-corrosion coating SAE 37° JIC meets SAE J514 specifications and are used for petroleum and mineral oil based fluids in hydraulic applications

## Product Details

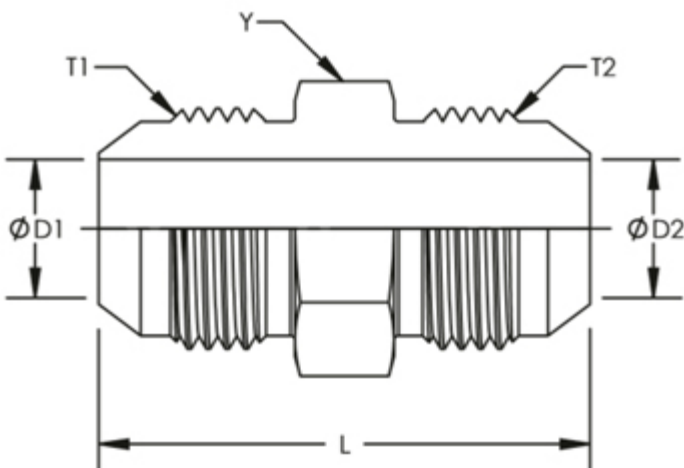
## Pressure Ratings:

SAE J514 Pressure Ratings					
Nom. SAE Dash Size	Nom. Tube O.D. Inches	37 Degree Flare Straight Thread	Nom. Pipe Size	SAE St. Threads Union & Bulkhead (PSI)	Fittings With Pipe Threads (PSI)
2	1/8	5/16"-24	1/8"	5000	5000
3	3/16	3/8"-24	1/8"	5000	5000
4	1/4	7/16"-20	1/8"	5000	5000
5	5/16	1/2"-20	1/8"	5000	5000
6	3/8	9/16"-18	1/4"	5000	5000
8	1/2	3/4"-16	3/8"	4500	4000
10	5/8	7/8"-14	1/2"	3500	3000
12	3/4	1 1/16"-12	3/4"	3500	3000

14	7/8	1 3/16"-12	3/4"	3000	2500
16	1	1 5/16"-12	1"	3000	2000
20	1 1/4	1 5/8"-12	1 1/4"	2500	1150
24	1 1/2	1 7/8"-12	1 1/2"	2000	1000
32	2	2 1/2"-12	2"	1500	1000

NOTE: Since many factors influence the pressure at which a system will or will not perform satisfactory, values shown in this table should not be construed as guaranteed minimum.

### Dimensional Drawings:



Product ID	Y HEX	T1	D1	T2	D2	L
SS-2403-02-02	0.438	5/16-24	0.063	5/16-24	0.063	1.17
SS-2403-03-03	0.438	3/8-24	0.125	3/8-24	0.125	1.23
SS-2403-04-02	0.5	7/16-20	0.172	5/16-24	0.063	1.27
SS-2403-04-04	0.5	7/16-20	0.172	7/16-20	0.172	1.37
SS-2403-05-05	0.563	1/2-20	0.234	1/2-20	0.234	1.37
SS-2403-06-04	0.625	9/16-18	0.297	7/16-20	0.172	1.4
SS-2403-06-06	0.625	9/16-18	0.297	9/16-18	0.297	1.41
SS-2403-08-04	0.813	3/4-16	0.391	7/16-20	0.172	1.51
SS-2403-08-06	0.813	3/4-16	0.391	9/16-18	0.297	1.52
SS-2403-08-08	0.813	3/4-16	0.391	3/4-16	0.391	1.62
SS-2403-10-04	0.938	7/8-14	0.484	7/16-20	0.172	1.67
SS-2403-10-06	0.938	7/8-14	0.484	9/16-18	0.297	1.68
SS-2403-10-08	0.938	7/8-14	0.484	3/4-16	0.391	1.78
SS-2403-10-10	0.938	7/8-14	0.484	7/8-14	0.484	1.88
SS-2403-12-08	1.125	1-1/16-12	0.609	3/4-16	0.391	1.95

SS-2403-12-10	1.125	1-1/16-12	0.609	7/8-14	0.484	2.05
SS-2403-12-12	1.125	1-1/16-12	0.609	1-1/16-12	0.609	2.16
SS-2403-14-14	1.25	1-3/16-12	0.719	1-3/16-12	0.719	2.21
SS-2403-16-08	1.375	1-5/16-12	0.844	3/4-16	0.391	2
SS-2403-16-10	1.375	1-5/16-12	0.844	7/8-14	0.484	2.1
SS-2403-16-12	1.375	1-5/16-12	0.844	1-1/16-12	0.609	2.2
SS-2403-16-16	1.375	1-5/16-12	0.844	1-5/16-12	0.844	2.25
SS-2403-20-12	1.688	1-5/8-12	1.078	1-1/16-12	0.609	2.34
SS-2403-20-16	1.688	1-5/8-12	1.078	1-5/16-12	0.844	2.38
SS-2403-20-20	1.688	1-5/8-12	1.078	1-5/8-12	1.078	2.43
SS-2403-24-12	2	1-7/8-12	1.313	1-1/16-12	0.609	2.53
SS-2403-24-16	2	1-7/8-12	1.313	1-5/16-12	0.844	2.58
SS-2403-24-20	2	1-7/8-12	1.313	1-5/8-12	1.078	2.62
SS-2403-24-24	2	1-7/8-12	1.313	1-7/8-12	1.313	2.75
SS-2403-32-32	2.625	2-1/2-12	1.781	2-1/2-12	1.781	3.4

## Competitor Cross Reference:

INTERCHANGEABLE WITH:					
SHF	AEROQUIP	PARKER	SSP	SAE	MS
2403-03-02	259-2027-3-2	3-2 HTX-SS	J3-2U	70101	MS51501
2403-03-03	259-2027-3-3	3 HTX-SS	J3U	70101	MS51501
2403-04-02	259-2027-4-2	4-2 HTX-SS	J4-2U	70101	MS51501
2403-04-04	259-2027-4-4	4 HTX-SS	J4U	70101	MS51501
2403-05-05	259-2027-5-5	5 HTX-SS	J5U	70101	MS51501
2403-06-04	259-2027-6-4	6-4 HTX-SS	J6-4U	70101	MS51501
2403-06-05	259-2027-6-5	6-5 HTX-SS	J6-5U	70101	MS51501
2403-08-06	259-2027-8-6	8-6 HTX-SS	J8-6U	70101	MS51501
2403-08-04	259-2027-8-4	8-4 HTX-SS	J8-4U	70101	MS51501
2403-06-06	259-2027-6-6	6 HTX-SS	J6U	70101	MS51501
2403-08-08	259-2027-8-8	8 HTX-SS	J8U	70101	MS51501
2403-10-04	259-2027-10-4	10-4 HTX-SS	J10-4U	70101	MS51501
2403-10-06	259-2027-10-6	10-6 HTX-SS	J10-6U	70101	MS51501
2403-10-08	259-2027-10-8	10-8 HTX-SS	J10-8U	70101	MS51501

2403-10-10	259-2027-10-10	10 HTX-SS	J10U	70101	MS51501
2403-12-04	259-2027-12-4	12-4 HTX-SS	J12-U4	70101	MS51501
2403-12-06	259-2027-12-6	12-6 HTX-SS	J12-6U	70101	MS51501
2403-12-08	259-2027-12-8	12-8 HTX-SS	J12-8U	70101	MS51501
2403-12-10	259-2027-12-10	12-10 HTX-SS	J12-10U	70101	MS51501
2403-12-12	259-2027-12-12	12 HTX-SS	J12U	70101	MS51501
2403-14-14	259-2027-14-14	14 HTX-SS	J14U	70101	MS51501
2403-16-06	259-2027-16-6	16-6 HTX-SS	J16-6U	70101	MS51501
2403-16-08	259-2027-16-8	16-8 HTX-SS	J16-8U	70101	MS51501
2403-16-12	259-2027-16-12	16-12 HTX-SS	J16-12U	70101	MS51501
2403-16-16	259-2027-16-16	16 HTX-SS	J16U	70101	MS51501
2403-20-08	259-2027-20-8	20-8 HTX-SS	J20-8U	70101	MS51501
2403-20-12	259-2027-20-12	20-12 HTX-SS	J20-12-U	70101	MS51501
2403-20-16	259-2027-20-16	20-16 HTX-SS	J20-16U	70101	MS51501
2403-20-20	259-2027-20-20	20 HTX-SS	J20U	70101	MS51501
2403-24-16	259-2027-24-16	24-16 HTX-SS	J24-16U	70101	MS51501
2403-24-20	259-2027-24-20	24-20 HTX-SS	J24-20U	70101	MS51501
2403-24-24	259-2027-24-24	24 HTX-SS	J24U	70101	MS51501
2403-32-16	259-2027-32-16	32-16 HTX-SS	J32-16U	70101	MS51501
2403-32-24	259-2027-32-24	32-24 HTX-SS	J32-24U	70101	MS51501
2403-32-32	259-2027-32-32	32 HTX-SS	J32U	70101	MS51501

Share your knowledge of this product. Be the first to write a review »

**ABOUT US**

- Company Info
- Contact Us
- Careers
- Reference Center

**MY ACCOUNT**

- View Cart
- Sign-In
- Order Status

**PRODUCTS**

- Product Index
- Category Index

**HELPFUL INFO**

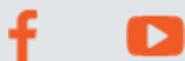
- Shipping & Returns
- Privacy Policy
- Terms & Conditions
- Warranty

**QUESTIONS? CALL OR TEXT US!**

Tel: (866) 620-7320  
 Email: sales@hydraulicsdirect.com

Copyright 52540 Hydraulics Direct

**FOLLOW US**



**TRUSTED SELLER**

