



MY ACCOUNT BLOG

0 \$ 00.00

Home > Steel Adapters > 37 Degree JIC >

2603 -37° JIC MALE UNION TEE



37° JIC Male Union Tee

2603 JIC equivalent to the following:

- * SAE 070401
- * Parker JTX
- * Parker 033T
- * Weatherhead C5705
- * Aeroquip 2033

Available in stainless steel: SS-2603

(1,2,3) JIC Male Tee



PRESSURE RATINGS



DIMENSIONAL DRAWINGS



CROSS REFERENCE

37° JIC MALE UNION TEE

PRINT PAGE

ITEM#	ITEM NAME	OUR PRICE	QTY	
2603-02-02-02	2603-02-02-02 - Union Tee, 1/8" JIC (5/16"-24 thread) x 1/8" JIC (5/16"-24 thread) x 1/8" JIC (5/16"-24 thread)	\$3.60		
2603-03-03-03	2603-03-03-03 - Union Tee, 3/16" JIC (3/8"-24 thread) x 3/16" JIC (3/8"-24 thread) x 3/16" JIC (3/8"-24 thread)	\$16.64		
2603-04-04-04	2603-04-04-04 - Union Tee, 1/4" JIC (7/16"-20 thread) x 1/4" JIC (7/16"-20 thread) x 1/4" JIC (7/16"-20 thread)	\$2.20		
2603-04-04-06	2603-04-04-06 - Union Tee, 1/4" JIC (7/16"-20 thread) x 1/4" JIC (7/16"-20 thread) x 3/8" JIC (9/16"-18 thread)	\$7.02		
2603-05-05-05	2603-05-05-05 - Union Tee, 5/16" JIC (1/2"-20) x 5/16" JIC (1/2"-20) x 5/16"	\$4.28		

	JIC (1/2"-20)			
2603-06-06-04	2603-06-06-04 - Union Tee, 3/8" JIC (9/16"-18 thread) x 3/8" JIC (9/16"-18 thread) x 1/4" JIC (7/16"-20 thread)	\$4.47		
2603-06-06-06	2603-06-06-06 - Union Tee, 3/8" JIC (9/16"-18 thread) x 3/8" JIC (9/16"-18 thread) x 3/8" JIC (9/16"-18 thread)	\$2.44		
2603-06-06-08	2603-06-06-08 - Union Tee, 3/8" JIC (9/16"-18 thread) x 3/8" JIC (9/16"-18 thread) x 1/2" JIC (3/4"-16 thread)	\$6.00		
2603-08-06-06	2603-08-06-06 - Union Tee, 1/2" JIC (3/4"-16 thread) x 3/8" JIC (9/16"-18 thread) x 3/8" JIC (9/16"-18 thread)	\$11.48		
2603-08-08-06	2603-08-08-06 - Union Tee, 1/2" JIC (3/4"-16 thread) x 1/2" JIC (3/4"-16 thread) x 3/8" JIC (9/16"-18 thread)	\$11.56		
2603-08-08-08	2603-08-08-08 - Union Tee, 1/2" JIC (3/4"-16 thread) x 1/2" JIC (3/4"-16 thread) x 1/2" JIC (3/4"-16 thread)	\$3.39		
2603-08-08-10	2603-08-08-10 - Union Tee, 1/2" JIC (3/4"-16 thread) x 1/2" JIC (3/4"-16 thread) x 5/8" JIC (7/8"-14 thread)	\$7.31		
2603-08-08-12	2603-08-08-12 - Union Tee, 1/2" JIC (3/4"-16 thread) x 1/2" JIC (3/4"-16 thread) x 3/4" JIC (1 1/16"-12 thread)	\$13.26		
2603-10-08-08	2603-10-08-08 - Union Tee, 5/8" JIC (7/8"-14 thread) x 1/2" JIC (3/4"-16 thread) x 1/2" JIC (3/4"-16 thread)	\$23.28		
2603-10-10-08	2603-10-10-08 - Union Tee, 5/8" JIC (7/8"-14 thread) x 5/8" JIC (7/8"-14 thread) x 1/2" JIC (3/4"-16 thread)	\$13.37		
2603-10-10-10	2603-10-10-10 - Union Tee, 5/8" JIC (7/8"-14 thread) x 5/8" JIC (7/8"-14 thread) x 5/8" JIC (7/8"-14 thread)	\$4.95		
2603-12-12-08	2603-12-12-08 - Union Tee, 3/4" JIC (1 1/16"-12 thread) x 3/4" JIC (1 1/16"-12 thread) x 1/2" JIC (3/4"-16 thread)	\$10.04		
2603-12-12-10	2603-12-12-10 - Union Tee, 3/4" JIC (1 1/16"-12 thread) x 3/4" JIC (1 1/16"-12 thread) x 5/8" JIC (7/8"-14 thread)	\$18.37		
2603-12-12-12	2603-12-12-12 - Union Tee, 3/4" JIC (1 1/16"-12 thread) x 3/4" JIC (1 1/16"-12 thread) x 3/4" JIC (1 1/16"-12 thread)	\$7.46		
2603-12-12-16	2603-12-12-16 - Union Tee, 3/4" JIC (1 1/16"-12 thread) x 3/4" JIC (1 1/16"-12 thread) x 1" JIC (1 5/16"-12 thread)	\$24.78		
2603-14-14-14	2603-14-14-14 - Union Tee, 7/8" JIC (1 3/16"-12 thread) x 7/8" JIC (1 3/16"-12 thread) x 7/8" JIC (1 3/16"-12 thread)	\$19.68		
2603-16-16-12	2603-16-16-12 - Union Tee, 1" JIC (1 5/16"-12 thread) x 1" JIC (1 5/16"-12 thread) x 3/4" JIC (1 1/16"-12 thread)	\$13.21		
2603-16-16-16	2603-16-16-16 - Union Tee, 1" JIC (1 5/16"-12 thread) x 1" JIC (1 5/16"-12 thread) x 1" JIC (1 5/16"-12 thread)	\$11.98		
2603-20-20-20	2603-20-20-20 - Union Tee, 1-1/4" JIC (1-5/8"-12 thread) x 1-1/4" JIC (1-5/8"-12 thread) x 1-1/4" JIC (1-5/8"-12 thread)	\$27.14		
2603-24-24-24	2603-24-24-24 - Union Tee, 1-1/2" JIC (1-7/8"-12 thread) x 1-1/2" JIC (1-7/8"-12 thread) x 1-1/2" JIC (3/4"-16 thread)	\$35.81		
2603-32-32-32	2603-32-32-32 - Union Tee, 2" JIC (2 1/2"-12 thread) x 2" JIC (2 1/2"-12	\$198.50		

thread) x 2" JIC (2 1/2"-12 thread)

Check the items you wish to purchase, then click

ADD TO CART

Features

Material: High pressure carbon steel with zinc trivalent anti-corrosion coating SAE 37° JIC meets SAE J514 specifications and are used for petroleum and mineral oil based fluids in hydraulic applications

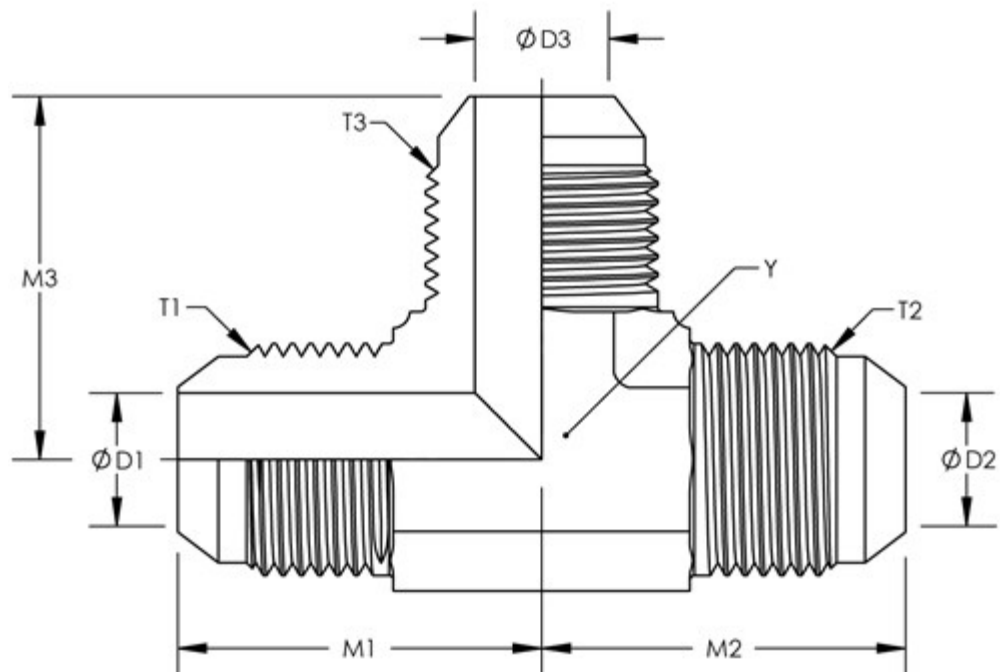
Product Details

Pressure Ratings:

SAE J514 Pressure Ratings					
Nom. SAE Dash Size	Nom. Tube O.D. Inches	37 Degree Flare Straight Thread	Nom. Pipe Size	SAE St. Threads Union & Bulkhead (PSI)	Fittings With Pipe Threads (PSI)
2	1/8	5/16"-24	1/8"	5000	5000
3	3/16	3/8"-24	1/8"	5000	5000
4	1/4	7/16"-20	1/8"	5000	5000
5	5/16	1/2"-20	1/8"	5000	5000
6	3/8	9/16"-18	1/4"	5000	5000
8	1/2	3/4"-16	3/8"	4500	4000
10	5/8	7/8"-14	1/2"	3500	3000
12	3/4	1 1/16"-12	3/4"	3500	3000
14	7/8	1 3/16"-12	3/4"	3000	2500
16	1	1 5/16"-12	1"	3000	2000
20	1 1/4	1 5/8"-12	1 1/4"	2500	1150
24	1 1/2	1 7/8"-12	1 1/2"	2000	1000
32	2	2 1/2"-12	2"	1500	1000

NOTE: Since many factors influence the pressure at which a system will or will not perform satisfactory, values shown in this table should not be construed as guaranteed minimum.

Dimensional Drawings:



Product ID	Y HEX	T1	M1	D1	T2	M2	D2	T3	M3	D3
SS-2603-02-02-02	0.438	5/16-24	0.77	0.063	5/16-24	0.77	0.063	5/16-24	0.77	0.06
SS-2603-03-03-03	0.438	3/8-24	0.83	0.125	3/8-24	0.83	0.125	3/8-24	0.83	0.12
SS-2603-04-04-04	0.438	7/16-20	0.89	0.172	7/16-20	0.89	0.172	7/16-20	0.89	0.17
SS-2603-04-04-06	0.563	7/16-20	1.05	0.172	7/16-20	1.05	0.172	9/16-18	1.06	0.29
SS-2603-05-05-05	0.563	1/2-20	0.95	0.234	1/2-20	0.95	0.234	1/2-20	0.95	0.23
SS-2603-06-06-04	0.563	9/16-18	1.06	0.297	9/16-18	1.06	0.297	7/16-20	1.05	0.17
SS-2603-06-06-06	0.563	9/16-18	1.06	0.297	9/16-18	1.06	0.297	9/16-18	1.06	0.29
SS-2603-06-06-08	0.75	9/16-18	1.14	0.297	9/16-18	1.14	0.297	3/4-16	1.25	0.39
SS-2603-08-08-08	0.75	3/4-16	1.25	0.391	3/4-16	1.25	0.391	3/4-16	1.25	0.39
SS-2603-08-08-10	0.875	3/4-16	1.33	0.391	3/4-16	1.33	0.391	7/8-14	1.45	0.48
SS-2603-08-08-12	1.063	3/4-16	1.42	0.391	3/4-16	1.42	0.391	1-1/16-12	1.66	0.60
SS-2603-08-10-10	0.875	3/4-16	1.33	0.391	7/8-14	1.45	0.484	7/8-14	1.45	0.48
SS-2603-10-08-08	0.875	7/8-14	1.45	0.484	3/4-16	1.33	0.391	3/4-16	1.33	0.39
SS-2603-10-10-08	0.875	7/8-14	1.45	0.484	7/8-14	1.45	0.484	3/4-16	1.33	0.39
SS-2603-10-10-10	0.875	7/8-14	1.45	0.484	7/8-14	1.45	0.484	7/8-14	1.45	0.48
SS-2603-12-10-12	1.063	1-1/16-12	1.66	0.609	7/8-14	1.54	0.484	1-1/16-12	1.66	0.60
SS-2603-12-12-08	1.063	1-1/16-12	1.66	0.609	1-1/16-12	1.66	0.609	3/4-16	1.42	0.39
SS-2603-12-12-12	1.063	1-1/16-12	1.66	0.609	1-1/16-12	1.66	0.609	1-1/16-12	1.66	0.60
SS-2603-12-12-16	1.313	1-1/16-12	1.76	0.609	1-1/16-12	1.76	0.609	1-5/16-12	1.81	0.84
SS-2603-14-14-14	1.313	1-3/16-12	1.8	0.719	1-3/16-12	1.8	0.719	1-3/16-12	1.8	0.71

SS-2603-16-12-20	1.625	1-5/16-12	2.01	0.844	1-1/16-12	1.97	0.609	1-5/8-12	2.06	1.07
SS-2603-16-16-12	1.313	1-5/16-12	1.81	0.844	1-5/16-12	1.81	0.844	1-1/16-12	1.76	0.60
SS-2603-16-16-16	1.313	1-5/16-12	1.81	0.844	1-5/16-12	1.81	0.844	1-5/16-12	1.81	0.84
SS-2603-16-16-20	1.625	1-5/16-12	2.01	0.844	1-5/16-12	2.01	0.844	1-5/8-12	2.06	1.07
SS-2603-20-16-16	1.625	1-5/8-12	2.06	1.078	1-5/16-12	2.01	0.844	1-5/16-12	2.01	0.84
SS-2603-20-20-20	1.625	1-5/8-12	2.06	1.078	1-5/8-12	2.06	1.078	1-5/8-12	2.06	1.07
SS-2603-24-24-24	1.875	1-7/8-12	2.33	1.313	1-7/8-12	2.33	1.313	1-7/8-12	2.33	1.31
SS-2603-32-32-32	2.5	2-1/2-12	3.06	1.781	2-1/2-12	3.06	1.781	2-1/2-12	3.06	1.78

Competitor Cross Reference:

INTERCHANGEABLE WITH:					
ITEM #	AEROQUIP	PARKER	SSP	SAE	MS
2603-02-02-02	259-2033-2-2	2 JTX-SS	J2T	70401	MS51510
2603-03-03-03	259-2033-3-3	3 JTX-SS	J3T	70401	MS51510
2603-04-04-04	259-2033-4-4	4 JTX-SS	J4T	70401	MS51510
2603-05-05-05	259-2033-5-5	5 JTX-SS	J5T	70401	MS51510
2603-06-06-06	259-2033-6-6	6 JTX-SS	J6T	70401	MS51510
2603-08-08-08	259-2033-8-8	8 JTX-SS	J8T	70401	MS51510
2603-10-10-10	259-2033-10-10	10 JTX-SS	J10T	70401	MS51510
2603-12-12-12	259-2033-12-12	12 JTX-SS	J12T	70401	MS51510
2603-16-16-16	259-2033-16-16	16 JTX-SS	J16T	70401	MS51510
2603-20-20-20	259-2033-20-20	20 JTX-SS	J20T	70401	MS51510
2603-24-24-24	259-2033-24-24	24 JTX-SS	J24T	70401	MS51510
2603-32-32-32	259-2033-32-32	32 JTX-SS	J32T	70401	MS51510

Share your knowledge of this product. Be the first to write a review »

ABOUT US

Company Info
 Contact Us
 Careers
 Reference Center

MY ACCOUNT

View Cart
 Sign-In
 Order Status

PRODUCTS

Product Index
 Category Index

HELPFUL INFO

Shipping & Returns
 Privacy Policy
 Terms & Conditions
 Warranty

QUESTIONS? CALL OR TEXT US!

Tel: (866) 620-7320
 Email:
 sales@hydraulicsdirect.com

Copyright 52565 Hydraulics Direct

FOLLOW US



TRUSTED SELLER

