

[MY ACCOUNT](#) [BLOG](#)[0 \\$00.00](#)[Home](#) > [Steel Adapters](#) > [37 Degree JIC](#) >

2501L -37° JIC MALE TO NPTF MALE PIPE 90 ° ELBOW LONG



37° JIC Male to NPTF Male Pipe 90 ° Elbow Long

2501L JIC equivalent to the following:

- * SAE 071502
- * Aeroquip 202411
- * Parker CCTX
- * Parker 5603
- * Weatherhead C5425

Available in stainless steel: SS-2501 L

(1) JIC Male (2) NPTF Male



Alternative Views:

PRESSURE
RATINGSDIMENSIONAL
DRAWINGSCROSS
REFERENCE

37° JIC MALE TO NPTF MALE PIPE 90 ° ELBOW LONG

[PRINT PAGE](#)

ITEM#	ITEM NAME	OUR PRICE	QTY	
2501L-04-02	2501L-04-02 - 90° Elbow, 1/4" JIC (7/16"-20 thread) x 1/8" NPTF Male, Long	\$2.57		
2501L-04-04	2501L-04-04 - 90° Elbow, 1/4" JIC (7/16"-20 thread) x 1/4" NPTF Male, Long	\$2.71		
2501L-05-02	2501L-05-02 - 90° Elbow, 5/16" JIC (1/2"-20) x 1/8" NPTF Male, Long	\$3.57		
2501L-05-04	2501L-05-04 - 90° Elbow, 5/16" JIC (1/2"-20) x 1/4" NPTF Male, Long	\$4.05		

2501L-06-04	2501L-06-04 - 90° Elbow, 3/8" JIC (9/16"-18 thread) x 1/4" NPTF Male, Long	\$3.34		
2501L-06-06	2501L-06-06 - 90° Elbow, 3/8" JIC (9/16"-18 thread) x 3/8" NPTF Male, Long	\$5.26		
2501L-06-08	2501L-06-08 - 90° Elbow, 3/8" JIC (9/16"-18 thread) x 1/2" NPTF Male, Long	\$5.01		
2501L-08-04	2501L-08-04 - 90° Elbow, 1/2" JIC (3/4"-16 thread) x 1/4" NPTF Male, Long	\$8.85		
2501L-08-06	2501L-08-06 - 90° Elbow, 1/2" JIC (3/4"-16 thread) x 3/8" NPTF Male, Long	\$4.95		
2501L-08-08	2501L-08-08 - 90° Elbow, 1/2" JIC (3/4"-16 thread) x 1/2" NPTF Male, Long	\$6.13		
2501L-08-12	2501L-08-12 - 90° Elbow, 1/2" JIC (3/4"-16 thread) x 3/4" NPTF Male, Long	\$10.37		
2501L-10-08	2501L-10-08 - 90° Elbow, 5/8" JIC (7/8"-14 thread) x 1/2" NPTF Male, Long	\$9.76		
2501L-10-12	2501L-10-12 - 90° Elbow, 5/8" JIC (7/8"-14 thread) x 3/4" NPTF Male, Long	\$22.87		
2501L-12-12	2501L-12-12 - 90° Elbow, 3/4" JIC (1 1/16"-12 thread) x 3/4" NPTF Male, Long	\$8.72		
2501L-16-12	2501L-16-12 - 90° Elbow, 1" JIC (1 5/16"-12 thread) x 3/4" NPTF Male, Long	\$18.15		
2501L-16-16	2501L-16-16 - 90° Elbow, 1" JIC (1 5/16"-12 thread) x 1" NPTF Male, Long	\$20.95		
2501L-20-20	2501L-20-20 - 90° Elbow, 1-1/4" JIC (1-5/8"-12 thread) x 1-1/4" NPTF Male, Long	\$38.11		
2501L-24-24	2501L-24-24 - 90° Elbow, 1-1/2" JIC (1-7/8"-12 thread) x 1-1/2" NPTF Male, Long	\$73.85		

Check the items you wish to purchase, then click

ADD TO CART

Features

Material: High pressure carbon steel with zinc trivalent anti-corrosion coating SAE 37° JIC meets SAE J514 specifications and are used for petroleum and mineral oil based fluids in hydraulic applications

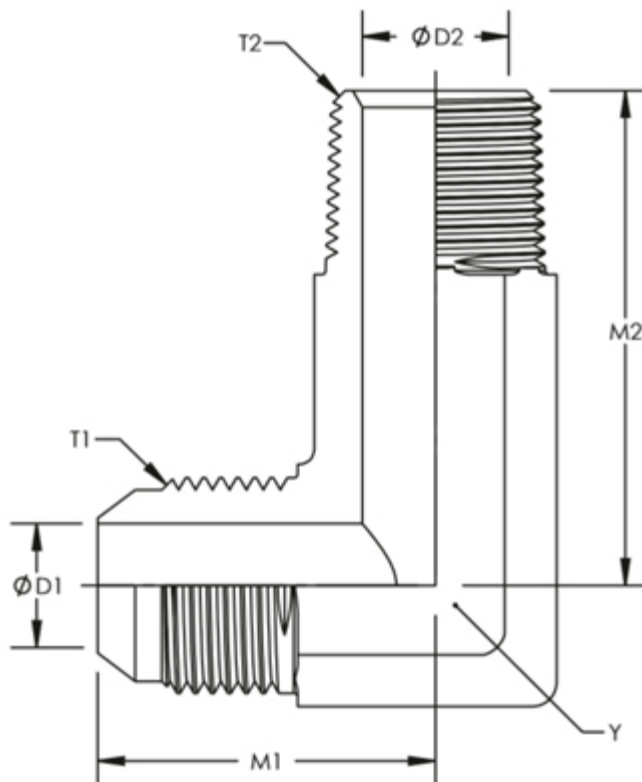
Product Details

Pressure Ratings:

SAE J514 Pressure Ratings					
Nom. SAE Dash Size	Nom. Tube O.D. Inches	37 Degree Flare Straight Thread	Nom. Pipe Size	SAE St. Threads Union & Bulkhead (PSI)	Fittings With Pipe Threads (PSI)
2	1/8	5/16"-24	1/8"	5000	5000
3	3/16	3/8"-24	1/8"	5000	5000
4	1/4	7/16"-20	1/8"	5000	5000
5	5/16	1/2"-20	1/8"	5000	5000
6	3/8	9/16"-18	1/4"	5000	5000
8	1/2	3/4"-16	3/8"	4500	4000
10	5/8	7/8"-14	1/2"	3500	3000
12	3/4	1 1/16"-12	3/4"	3500	3000
14	7/8	1 3/16"-12	3/4"	3000	2500
16	1	1 5/16"-12	1"	3000	2000
20	1 1/4	1 5/8"-12	1 1/4"	2500	1150
24	1 1/2	1 7/8"-12	1 1/2"	2000	1000
32	2	2 1/2"-12	2"	1500	1000

NOTE: Since many factors influence the pressure at which a system will or will not perform satisfactory, values shown in this table should not be construed as guaranteed minimum.

Dimensional Drawings:



ITEM #	MP-1	MJ-2	THREAD-1	THREAD-2	A	B
SS-2501L-04-02	1/4	1/8	1/4-18	5/16-24	-	-
SS-2501L-04-04	1/4	1/4	1/4-18	7/16-20	-	-
SS-2501L-06-04	3/8	1/4	3/8-18	7/16-20	-	-
SS-2501L-06-06	3/8	3/8	3/8-18	9/16-18	-	-
SS-2501L-08-08	1/2	1/2	1/2-14	3/4-16	-	-
SS-2501L-12-12	3/4	3/4	3/4-14	1 1/16-12	-	-
SS-2501L-16-16	1	1	1-11 1/2	1 5/16-12	-	-

Competitor Cross Reference:

INTERCHANGEABLE WITH:				
SHF	AEROQUIP	PARKER	SSP	SAE
2501-L-04-02	259-202411-2-4	4 CCTX-SS	J4LME	71502
2501-L-04-04	259-202411-4-4	4-4 CCTX-SS	J4-4LME	71502
2501-L-06-04	259-202411-4-6	6 CCTX-SS	J6LME	71502
2501-L-06-06	259-202411-6-6	6-6 CCTX-SS	J6-6LME	71502
2501-L-08-08	259-202411-8-8	8-8 CCTX-SS	J8-8LME	71502
2501-L-12-12	259-202411-12-12	12 CCTX-SS	J12LME	71502
2501-L-16-16	259-202411-16-16	16 CCTX-SS	J16LME	71502
2501-L-20-20	259-202411-20-20	20 CCTX-SS	J20LME	71502

Share your knowledge of this product. Be the first to write a review »

ABOUT US

Company Info
 Contact Us
 Careers
 Reference Center

MY ACCOUNT

View Cart
 Sign-In
 Order Status

PRODUCTS

Product Index
 Category Index

HELPFUL INFO

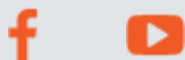
Shipping & Returns
 Privacy Policy
 Terms & Conditions
 Warranty

QUESTIONS? CALL OR TEXT US!

Tel: (866) 620-7320
 Email:
 sales@hydraulicsdirect.com

Copyright 52563 Hydraulics Direct

FOLLOW US



TRUSTED SELLER

