



MY ACCOUNT BLOG

0 \$ 00.00

Home > Steel Adapters > 37 Degree JIC >

2605 -37° JIC MALE TO NPTF MALE RUN TEE



(1,3) JIC Male (2) NPTF Male



Alternative Views:



37° JIC Male to NPTF Male Run Tee

2605 JIC equivalent to the following:

- * SAE 070424
- * Parker RTX
- * Parker 013T
- * Weatherhead C5755
- * Aeroquip 2028

Available in stainless steel: SS-2605



PRESSURE RATINGS



DIMENSIONAL DRAWINGS



CROSS REFERENCE

37° JIC MALE TO NPTF MALE RUN TEE

PRINT PAGE

ITEM#	ITEM NAME	OUR PRICE	QTY	
2605-03-02-03	2605-03-02-03 - Run Tee, 3/16" JIC (3/8"-24 thread) x 1/8" NPTF Male x 3/16" JIC (3/8"-24 thread)	\$4.10		
2605-04-02-04	2605-04-02-04 - Run Tee, 1/4" JIC (7/16"-20 thread) x 1/8" NPTF Male x 1/4" JIC (7/16"-20 thread)	\$2.63		
2605-04-04-04	2605-04-04-04 - Run Tee, 1/4" JIC (7/16"-20 thread) x 1/4" NPTF Male x 1/4" JIC (7/16"-20 thread)	\$3.38		
2605-05-02-05	2605-05-02-05 - Run Tee, 5/16" JIC (1/2"-20) x 1/8" NPTF Male x 5/16" JIC (1/2"-20)	\$4.61		
2605-05-04-05	2605-05-04-05 - Run Tee, 5/16" JIC (1/2"-20) x 1/4" NPTF Male x 5/16"	\$7.66		

	JIC (1/2"-20)		
2605-06-02-06	2605-06-02-06 - Run Tee, 3/8" JIC (9/16"-18 thread) x 1/8" NPTF Male x 3/8" JIC (9/16"-18 thread)	\$6.38	
2605-06-04-06	2605-06-04-06 - Run Tee, 3/8" JIC (9/16"-18 thread) x 1/4" NPTF Male x 3/8" JIC (9/16"-18 thread)	\$3.42	
2605-06-06-06	2605-06-06-06 - Run Tee, 3/8" JIC (9/16"-18 thread) x 3/8" NPTF Male x 3/8" JIC (9/16"-18 thread)	\$5.09	
2605-06-08-06	2605-06-08-06 - Run Tee, 3/8" JIC (9/16"-18 thread) x 1/2" NPTF Male x 3/8" JIC (9/16"-18 thread)	\$10.67	
2605-08-04-08	2605-08-04-08 - Run Tee, 1/2" JIC (3/4"-16 thread) x 1/4" NPTF Male x 1/2" JIC (3/4"-16 thread)	\$10.23	
2605-08-06-08	2605-08-06-08 - Run Tee, 1/2" JIC (3/4"-16 thread) x 3/8" NPTF Male x 1/2" JIC (3/4"-16 thread)	\$4.91	
2605-08-08-08	2605-08-08-08 - Run Tee, 1/2" JIC (3/4"-16 thread) x 1/2" NPTF Male x 1/2" JIC (3/4"-16 thread)	\$5.08	
2605-08-12-08	2605-08-12-08 - Run Tee, 1/2" JIC (3/4"-16 thread) x 3/4" NPTF Male x 1/2" JIC (3/4"-16 thread)	\$21.12	
2605-10-08-10	2605-10-08-10 - Run Tee, 5/8" JIC (7/8"-14 thread) x 1/2" NPTF Male x 5/8" JIC (7/8"-14 thread)	\$5.83	
2605-10-12-10	2605-10-12-10 - Run Tee, 5/8" JIC (7/8"-14 thread) x 3/4" NPTF Male x 5/8" JIC (7/8"-14 thread)	\$29.69	
2605-12-08-12	2605-12-08-12 - Run Tee, 3/4" JIC (1 1/16"-12 thread) x 1/2" NPTF Male x 3/4" JIC (1 1/16"-12 thread)	\$11.98	
2605-12-12-12	2605-12-12-12 - Run Tee, 3/4" JIC (1 1/16"-12 thread) x 3/4" NPTF Male x 3/4" JIC (1 1/16"-12 thread)	\$8.32	
2605-14-12-14	2605-14-12-14 - Run Tee, 7/8" JIC (1 3/16"-12 thread) x 3/4" NPTF Male x 7/8" JIC (1 3/16"-12 thread)	\$18.53	
2605-16-16-16	2605-16-16-16 - Run Tee, 1" JIC (1 5/16"-12 thread) x 1" NPTF Male x 1" JIC (1 5/16"-12 thread)	\$13.95	
2605-20-20-20	2605-20-20-20 - Run Tee, 1-1/4" JIC (1-5/8"-12 thread) x 1-1/4" NPTF Male x 1-1/4" JIC (1-5/8"-12 thread)	\$27.98	
2605-24-24-24	2605-24-24-24 - Run Tee, 1-1/2" JIC (1-7/8"-12 thread) x 1-1/2" NPTF Male x 1-1/2" JIC (1-7/8"-12 thread)	\$40.28	
2605-32-32-32	2605-32-32-32 - Run Tee, 2" JIC (2 1/2"-12 thread) x 2" NPTF Male x 2" JIC (2 1/2"-12 thread)	\$168.49	

Check the items you wish to purchase, then click

ADD TO CART

Features

Material: High pressure carbon steel with zinc trivalent anti-corrosion coating SAE 37° JIC meets SAE J514 specifications and are used for petroleum and mineral oil based fluids in hydraulic applications

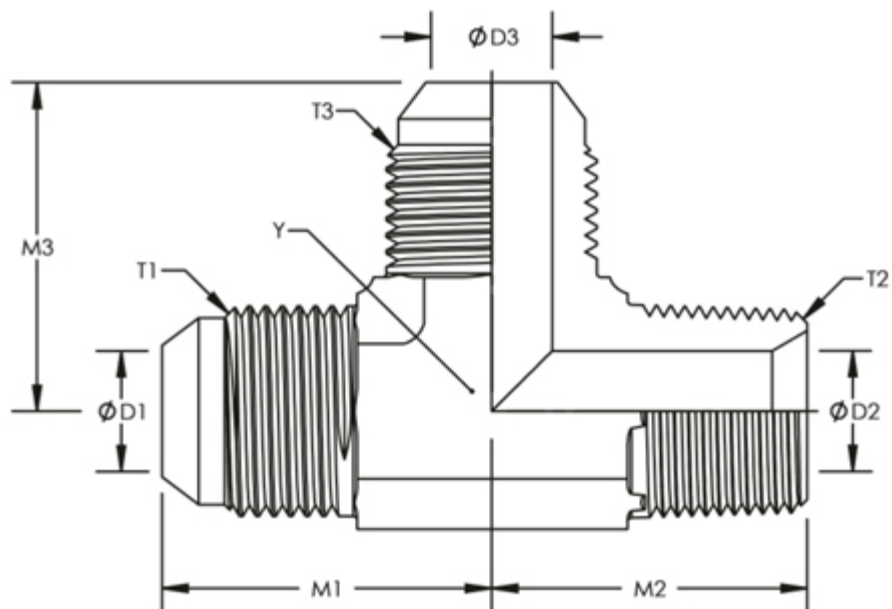
Product Details

Pressure Ratings:

SAE J514 Pressure Ratings					
Nom. SAE Dash Size	Nom. Tube O.D. Inches	37 Degree Flare Straight Thread	Nom. Pipe Size	SAE St. Threads Union & Bulkhead (PSI)	Fittings With Pipe Threads (PSI)
2	1/8	5/16"-24	1/8"	5000	5000
3	3/16	3/8"-24	1/8"	5000	5000
4	1/4	7/16"-20	1/8"	5000	5000
5	5/16	1/2"-20	1/8"	5000	5000
6	3/8	9/16"-18	1/4"	5000	5000
8	1/2	3/4"-16	3/8"	4500	4000
10	5/8	7/8"-14	1/2"	3500	3000
12	3/4	1 1/16"-12	3/4"	3500	3000
14	7/8	1 3/16"-12	3/4"	3000	2500
16	1	1 5/16"-12	1"	3000	2000
20	1 1/4	1 5/8"-12	1 1/4"	2500	1150
24	1 1/2	1 7/8"-12	1 1/2"	2000	1000
32	2	2 1/2"-12	2"	1500	1000

NOTE: Since many factors influence the pressure at which a system will or will not perform satisfactory, values shown in this table should not be construed as guaranteed minimum.

Dimensional Drawings:



Product ID	Y HEX	T1	M1	D1	T2	M2	D2	T3	M3	D3
SS-2605-03-02-03	0.438	3/8-24	0.83	0.125	1/8-27	0.72	0.188	3/8-24	0.83	0.12
SS-2605-04-02-04	0.438	7/16-20	0.89	0.172	1/8-27	0.78	0.188	7/16-20	0.89	0.17
SS-2605-04-04-04	0.563	7/16-20	1.05	0.172	1/4-18	1.09	0.281	7/16-20	1.05	0.17
SS-2605-05-02-05	0.563	1/2-20	0.95	0.234	1/8-27	0.78	0.188	1/2-20	0.95	0.23
SS-2605-06-02-06	0.563	9/16-18	1.06	0.297	1/8-27	0.9	0.188	9/16-18	1.06	0.29
SS-2605-06-04-04	0.563	9/16-18	1.06	0.297	1/4-18	1.09	0.281	7/16-20	1.05	0.17
SS-2605-06-04-06	0.563	9/16-18	1.06	0.297	1/4-18	1.09	0.281	9/16-18	1.06	0.29
SS-2605-06-06-06	0.75	9/16-18	1.14	0.297	3/8-18	1.22	0.406	9/16-18	1.14	0.29
SS-2605-06-08-06	0.875	9/16-18	1.22	0.297	1/2-14	1.47	0.531	9/16-18	1.22	0.29
SS-2605-08-04-08	0.75	3/4-16	1.25	0.391	1/4-18	1.22	0.281	3/4-16	1.25	0.39
SS-2605-08-06-08	0.75	3/4-16	1.25	0.391	3/8-18	1.22	0.406	3/4-16	1.25	0.39
SS-2605-08-08-08	0.875	3/4-16	1.33	0.391	1/2-14	1.47	0.531	3/4-16	1.33	0.39
SS-2605-10-08-10	0.875	7/8-14	1.45	0.484	1/2-14	1.47	0.531	7/8-14	1.45	0.48
SS-2605-12-08-12	1.063	1-1/16-12	1.66	0.609	1/2-14	1.59	0.531	1-1/16-12	1.66	0.60
SS-2605-12-12-08	1.063	1-1/16-12	1.66	0.609	3/4-14	1.59	0.719	3/4-16	1.42	0.39
SS-2605-12-12-12	1.063	1-1/16-12	1.66	0.609	3/4-14	1.59	0.719	1-1/16-12	1.66	0.60
SS-2605-14-12-14	1.313	1-3/16-12	1.8	0.719	3/4-14	1.69	0.719	1-3/16-12	1.8	0.71
SS-2605-16-16-16	1.313	1-5/16-12	1.81	0.844	1-11-1/2	1.97	0.938	1-5/16-12	1.81	0.84
SS-2605-20-20-20	1.625	1-5/8-12	2.06	1.078	1-7-11-1/2	2.38	1.25	1-5/8-12	2.06	1.07
SS-2605-24-24-24	1.875	1-7/8-12	2.33	1.313	1-7-11-1/2	2.64	1.5	1-7/8-12	2.33	1.31
SS-2605-32-32-32	2.5	2-1/2-12	3.06	1.781	2-11-12	3	1.938	2-1/2-12	3.06	1.78

Competitor Cross Reference:

INTERCHANGEABLE WITH:					
ITEM #	AEROQUIP	PARKER	SSP	SAE	MS
2605-02-02-02	259-2028-2-2	2 RTX-SS	J2TMT	70424	MS51511
2605-04-02-04	259-2028-2-4	4 RTX-SS	J4TMT	70424	MS51511
2605-04-04-04	259-2028-4-4	4-4-4 RTX-SS	J4-4-4TMT	70424	MS51511
2605-06-04-06	259-2028-4-6	6 RTX-SS	J6TMT	70424	MS51511
2605-06-06-06	259-2028-6-6	6-6-6 RTX-SS	J6-6-6TMT	70424	MS51511
2605-08-06-08	259-2028-6-8	8 RTX-SS	J8TMT	70424	MS51511
2605-08-08-08	259-2028-8-8	8-8-8 RTX-SS	J8-8-8TMT	70424	MS51511
2605-10-08-10	259-2028-8-10	10 RTX-SS	J10TMT	70424	MS51511
2605-12-12-12	259-2028-12-12	12 RTX-SS	J12TMT	70424	MS51511
2605-16-16-16	259-2028-16-16	16 RTX-SS	J16TMT	70424	MS51511
2605-20-20-20	259-2028-20-20	20 RTX-SS	J20TMT	70424	MS51511
2605-24-24-24	259-2028-24-24	24 RTX-SS	J24TMT	70424	MS51511
2605-32-32-32	259-2028-32-32	32 RTX-SS	J32TMT	70424	MS51511

Share your knowledge of this product. Be the first to write a review »

ABOUT US

Company Info
 Contact Us
 Careers
 Reference Center

MY ACCOUNT

View Cart
 Sign-In
 Order Status

PRODUCTS

Product Index
 Category Index

HELPFUL INFO

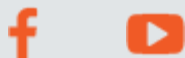
Shipping & Returns
 Privacy Policy
 Terms & Conditions
 Warranty

QUESTIONS? CALL OR TEXT US!

Tel: (866) 620-7320
 Email:
 sales@hydraulicsdirect.com

Copyright 52565 Hydraulics Direct

FOLLOW US



TRUSTED SELLER

