

[MY ACCOUNT](#) [BLOG](#)[0 \\$00.00](#)[Home](#) > [Steel Adapters](#) > [37 Degree JIC](#) >

## 319 -37° JIC TUBE SLEEVE



JIC 37 Tube Sleeve



Alternative Views:



### 37° JIC Tube Sleeve

319 JIC equivalent to the following:

- \* SAE 070115
- \* Parker TX
- \* Parker Hydraulics 06S
- \* Weatherhead C5165
- \* Aeroquip 900605

Use with 318 tube nut

Available in stainless steel: SS-319

PRESSURE  
RATINGSDIMENSIONAL  
DRAWINGSCROSS  
REFERENCE

## 37° JIC TUBE SLEEVE

[PRINT PAGE](#)

| ITEM#  | ITEM NAME   | OUR PRICE     | QTY |  |
|--------|---|---------------|-----|--|
| 319-02 | 319-02   JIC 37° Flare Tube Sleeve, 1/8" tube O.D.  | <b>\$0.42</b> |     |  |
| 319-03 | 319-03   JIC 37° Flare Tube Sleeve, 3/16" tube O.D. | <b>\$0.29</b> |     |  |
| 319-04 | 319-04   JIC 37° Flare Tube Sleeve, 1/4" tube O.D.  | <b>\$0.21</b> |     |  |
| 319-05 | 319-05   JIC 37° Flare Tube Sleeve, 5/16" tube O.D. | <b>\$0.35</b> |     |  |

|        |  |               |  |  |
|--------|--|---------------|--|--|
| 319-06 | 319-06   JIC 37° Flare Tube Sleeve, 3/8" tube O.D.   | <b>\$0.28</b> |  |  |
| 319-08 | 319-08   JIC 37° Flare Tube Sleeve, 1/2" tube O.D.   | <b>\$0.35</b> |  |  |
| 319-10 | 319-10   JIC 37° Flare Tube Sleeve, 5/8" tube O.D.   | <b>\$0.54</b> |  |  |
| 319-12 | 319-12   JIC 37° Flare Tube Sleeve, 3/4" tube O.D.   | <b>\$0.65</b> |  |  |
| 319-14 | 319-14   JIC 37° Flare Tube Sleeve, 7/8" tube O.D.   | <b>\$1.01</b> |  |  |
| 319-16 | 319-16   JIC 37° Flare Tube Sleeve, 1" tube O.D.     | <b>\$1.19</b> |  |  |
| 319-20 | 319-20   JIC 37° Flare Tube Sleeve, 1-1/4" tube O.D. | <b>\$1.80</b> |  |  |
| 319-24 | 319-24   JIC 37° Flare Tube Sleeve, 1-1/2" tube O.D. | <b>\$3.06</b> |  |  |
| 319-32 | 319-32   JIC 37° Flare Tube Sleeve, 2" tube O.D.     | <b>\$5.74</b> |  |  |

Check the items you wish to purchase, then click

**ADD TO CART**

## Features

Material: High pressure carbon steel with zinc trivalent anti-corrosion coating SAE 37° JIC meets SAE J514 specifications and are used for petroleum and mineral oil based fluids in hydraulic applications

## Product Details

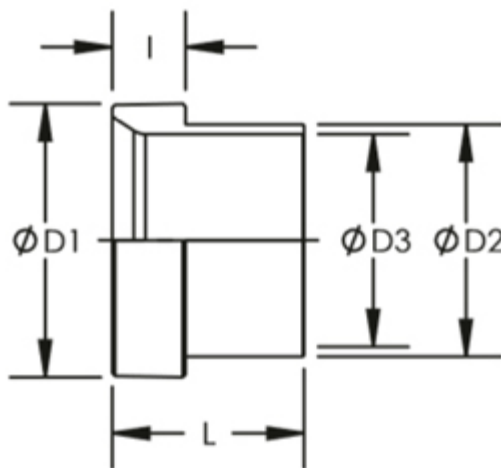
## Pressure Ratings:

| SAE J514 Pressure Ratings |                       |                                 |                |  |                                  |
|---------------------------|-----------------------|---------------------------------|----------------|--|----------------------------------|
| Nom. SAE Dash Size        | Nom. Tube O.D. Inches | 37 Degree Flare Straight Thread | Nom. Pipe Size | SAE St. Threads Union & Bulkhead (PSI) | Fittings With Pipe Threads (PSI) |
| 2                         | 1/8                   | 5/16"-24                        | 1/8"           | 5000                                   | 5000                             |
| 3                         | 3/16                  | 3/8"-24                         | 1/8"           | 5000                                   | 5000                             |
| 4                         | 1/4                   | 7/16"-20                        | 1/8"           | 5000                                   | 5000                             |
| 5                         | 5/16                  | 1/2"-20                         | 1/8"           | 5000                                   | 5000                             |
| 6                         | 3/8                   | 9/16"-18                        | 1/4"           | 5000                                   | 5000                             |

|    |       |            |        |      |      |
|----|-------|------------|--------|------|------|
| 8  | 1/2   | 3/4"-16    | 3/8"   | 4500 | 4000 |
| 10 | 5/8   | 7/8"-14    | 1/2"   | 3500 | 3000 |
| 12 | 3/4   | 1 1/16"-12 | 3/4"   | 3500 | 3000 |
| 14 | 7/8   | 1 3/16"-12 | 3/4"   | 3000 | 2500 |
| 16 | 1     | 1 5/16"-12 | 1"     | 3000 | 2000 |
| 20 | 1 1/4 | 1 5/8"-12  | 1 1/4" | 2500 | 1150 |
| 24 | 1 1/2 | 1 7/8"-12  | 1 1/2" | 2000 | 1000 |
| 32 | 2     | 2 1/2"-12  | 2"     | 1500 | 1000 |

NOTE: Since many factors influence the pressure at which a system will or will not perform satisfactory, values shown in this table should not be construed as guaranteed minimum.

## Dimensional Drawings:



| Product ID | D1    | D2    | D3    | I    | L    |
|------------|-------|-------|-------|------|------|
| SS-319-02  | 0.267 | 0.172 | 0.13  | 0.12 | 0.34 |
| SS-319-03  | 0.329 | 0.234 | 0.193 | 0.14 | 0.34 |
| SS-319-04  | 0.383 | 0.297 | 0.255 | 0.14 | 0.41 |
| SS-319-05  | 0.445 | 0.366 | 0.318 | 0.16 | 0.44 |
| SS-319-06  | 0.502 | 0.432 | 0.38  | 0.17 | 0.5  |
| SS-319-08  | 0.682 | 0.563 | 0.505 | 0.22 | 0.56 |
| SS-319-10  | 0.797 | 0.69  | 0.631 | 0.24 | 0.66 |
| SS-319-12  | 0.972 | 0.826 | 0.756 | 0.26 | 0.68 |
| SS-319-14  | 1.097 | 0.953 | 0.881 | 0.26 | 0.76 |
| SS-319-16  | 1.222 | 1.081 | 1.006 | 0.28 | 0.78 |

|           |       |       |       |      |      |
|-----------|-------|-------|-------|------|------|
| SS-319-20 | 1.534 | 1.339 | 1.26  | 0.31 | 0.91 |
| SS-319-24 | 1.784 | 1.609 | 1.51  | 0.34 | 1.12 |
| SS-319-32 | 2.409 | 2.159 | 2.014 | 0.41 | 1.19 |

## Competitor Cross Reference:

| ITEM # | AEROQUIP      | PARKER   | SSP  | SAE   | MS      |
|--------|---------------|----------|------|-------|---------|
| 319-02 | 259-900605-2  | 2 TX-SS  | J2S  | 70115 | MS51533 |
| 319-03 | 259-900605-3  | 3 TX-SS  | J3S  | 70115 | MS51533 |
| 319-04 | 259-900605-4  | 4 TX-SS  | J4S  | 70115 | MS51533 |
| 319-05 | 259-900605-5  | 5 TX-SS  | J5S  | 70115 | MS51533 |
| 319-06 | 259-900605-6  | 6 TX-SS  | J6S  | 70115 | MS51533 |
| 319-08 | 259-900605-8  | 8 TX-SS  | J8S  | 70115 | MS51533 |
| 319-10 | 259-900605-10 | 10 TX-SS | J10S | 70115 | MS51533 |
| 319-12 | 259-900605-12 | 12 TX-SS | J12S | 70115 | MS51533 |
| 319-14 | 259-900605-14 | 14 TX-SS | J14S | 70115 | MS51533 |
| 319-16 | 259-900605-16 | 16 TX-SS | J16S | 70115 | MS51533 |
| 319-20 | 259-900605-20 | 20 TX-SS | J20S | 70115 | MS51533 |
| 319-24 | 259-900605-24 | 24 TX-SS | J24S | 70115 | MS51533 |
| 319-32 | 259-900605-32 | 32 TX-SS | J32S | 70115 | MS51533 |

Share your knowledge of this product. Be the first to write a review »

### ABOUT US

Company Info  
Contact Us  
Careers  
Reference Center

### MY ACCOUNT

View Cart  
Sign-In  
Order Status

### PRODUCTS

Product Index  
Category Index

### HELPFUL INFO

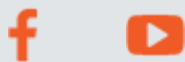
Shipping & Returns  
Privacy Policy  
Terms & Conditions  
Warranty

### QUESTIONS? CALL OR TEXT US!

Tel: (866) 620-7320  
Email:  
sales@hydraulicsdirect.com

Copyright 52565 Hydraulics Direct

## FOLLOW US



## TRUSTED SELLER

