

[MY ACCOUNT](#) [BLOG](#)[0 \\$ 00.00](#)[Home](#) > [Steel Adapters](#) > [37 Degree JIC](#) >

2405 -37° MALE JIC X FEMALE NPTF PIPE CONNECTOR



(1) JIC Male, (2) NPTF Female



Alternative Views:



37° Male JIC x Female NPTF Pipe Connector

2405 JIC equivalent to the following:

- * SAE 070103
- * Parker Hydraulics GTX
- * Parker 0203
- * Aeroquip 2022
- * Weatherhead C5255

Available in stainless steel: SS-2405

PRESSURE
RATINGSDIMENSIONAL
DRAWINGSCROSS
REFERENCE

37° MALE JIC X FEMALE NPTF PIPE CONNECTOR

[PRINT PAGE](#)

ITEM#	ITEM NAME	OUR PRICE	QTY	
2405-02-02	2405-02-02 - 1/8" JIC (5/16"-24 thread) x 1/8" NPTF Female	\$4.41		
2405-03-02	2405-03-02 - 3/16" JIC (3/8"-24 thread) x 1/8" NPTF Female	\$5.33		
2405-04-02	2405-04-02 - 1/4" JIC (7/16"-20 thread) x 1/8" NPTF Female	\$1.26		
2405-04-04	2405-04-04 - 1/4" JIC (7/16"-20 thread) x 1/4" NPTF Female	\$1.07		

2405-04-06	2405-04-06 - 1/4" JIC (7/16"-20 thread) x 3/8" NPTF Female	\$10.74		
2405-04-08	2405-04-08 - 1/4" JIC (7/16"-20 thread) x 1/2" NPTF Female	\$14.31		
2405-05-02	2405-05-02 - 5/16" JIC (1/2"-20) x 1/8" NPTF Female	\$1.84		
2405-05-04	2405-05-04 - 5/16" JIC (1/2"-20) x 1/4" NPTF Female	\$1.65		
2405-06-02	2405-06-02 - 3/8" JIC (9/16"-18 thread) x 1/8" NPTF Female	\$3.10		
2405-06-04	2405-06-04 - 3/8" JIC (9/16"-18 thread) x 1/4" NPTF Female	\$1.10		
2405-06-06	2405-06-06 - 3/8" JIC (9/16"-18 thread) x 3/8" NPTF Female	\$1.42		
2405-06-08	2405-06-08 - 3/8" JIC (9/16"-18 thread) x 1/2" NPTF Female	\$5.24		
2405-08-04	2405-08-04 - 1/2" JIC (3/4"-16 thread) x 1/4" NPTF Female	\$4.10		
2405-08-06	2405-08-06 - 1/2" JIC (3/4"-16 thread) x 3/8" NPTF Female	\$1.61		
2405-08-08	2405-08-08 - 1/2" JIC (3/4"-16 thread) x 1/2" NPTF Female	\$2.05		
2405-08-12	2405-08-12 - 1/2" JIC (3/4"-16 thread) x 3/4" NPTF Female	\$15.69		
2405-10-06	2405-10-06 - 5/8" JIC (7/8"-14 thread) x 3/8" NPTF Female	\$3.82		
2405-10-08	2405-10-08 - 5/8" JIC (7/8"-14 thread) x 1/2" NPTF Female	\$2.50		
2405-10-12	2405-10-12 - 5/8" JIC (7/8"-14 thread) x 3/4" NPTF Female	\$17.66		
2405-12-08	2405-12-08 - 3/4" JIC (1 1/16"-12 thread) x 1/2" NPTF Female	\$3.93		
2405-12-12	2405-12-12 - 3/4" JIC (1 1/16"-12 thread) x 3/4" NPTF Female	\$2.76		
2405-12-16	2405-12-16 - 3/4" JIC (1 1/16"-12 thread) x 1" NPTF Female	\$9.09		
2405-14-12	2405-14-12 - 7/8" JIC (1 3/16"-12 thread) x 3/4" NPTF Female	\$5.96		
2405-16-12	2405-16-12 - 1" JIC (1 5/16"-12 thread) x 3/4" NPTF Female	\$7.84		
2405-16-16	2405-16-16 - 1" JIC (1 5/16"-12 thread) x 1" NPTF Female	\$5.04		
2405-16-20	2405-16-20 - 1" JIC (1 5/16"-12 thread) x 1-1/4" NPTF Female	\$19.51		

2405-20-16	2405-20-16 - 1-1/4" JIC (1-5/8"-12 thread) x 1" NPTF Female	\$22.78		
2405-20-20	2405-20-20 - 1-1/4" JIC (1-5/8"-12 thread) x 1-1/4" NPTF Female	\$9.99		
2405-20-24	2405-20-24 - 1-1/4" JIC (1-5/8"-12 thread) x 1-1/2" NPTF Female	\$17.94		
2405-24-24	2405-24-24 - 1-1/2" JIC (1-7/8"-12 thread) x 1-1/2" NPTF Female	\$16.35		
2405-32-32	2405-32-32 - 2" JIC (2 1/2"-12 thread) x 2" NPTF Female	\$35.38		

Check the items you wish to purchase, then click

ADD TO CART

Features

Material: High pressure carbon steel with zinc trivalent anti-corrosion coating SAE 37° JIC meets SAE J514 specifications and are used for petroleum and mineral oil based fluids in hydraulic applications

Product Details

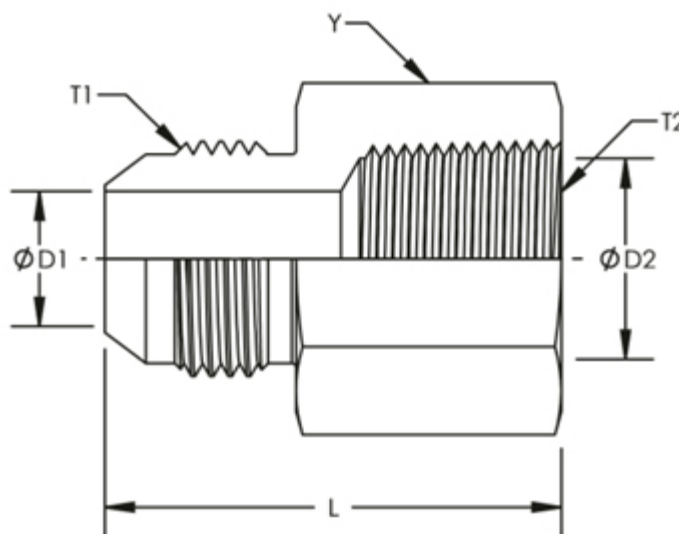
Pressure Ratings:

SAE J514 Pressure Ratings					
Nom. SAE Dash Size	Nom. Tube O.D. Inches	37 Degree Flare Straight Thread	Nom. Pipe Size	SAE St. Threads Union & Bulkhead (PSI)	Fittings With Pipe Threads (PSI)
2	1/8	5/16"-24	1/8"	5000	5000
3	3/16	3/8"-24	1/8"	5000	5000
4	1/4	7/16"-20	1/8"	5000	5000
5	5/16	1/2"-20	1/8"	5000	5000
6	3/8	9/16"-18	1/4"	5000	5000
8	1/2	3/4"-16	3/8"	4500	4000
10	5/8	7/8"-14	1/2"	3500	3000
12	3/4	1 1/16"-12	3/4"	3500	3000
14	7/8	1 3/16"-12	3/4"	3000	2500
16	1	1 5/16"-12	1"	3000	2000
20	1 1/4	1 5/8"-12	1 1/4"	2500	1150

24	1 1/2	1 7/8"-12	1 1/2"	2000	1000
32	2	2 1/2"-12	2"	1500	1000

NOTE: Since many factors influence the pressure at which a system will or will not perform satisfactory, values shown in this table should not be construed as guaranteed minimum.

Dimensional Drawings:



Product ID	Y HEX	T1	D1	T2	D2	L
SS-2405-02-02	0.563	5/16-24	0.063	1/8-27	0.332	1.12
SS-2405-03-02	0.563	3/8-24	0.125	1/8-27	0.332	1.13
SS-2405-04-02	0.563	7/16-20	0.172	1/8-27	0.332	1.19
SS-2405-04-04	0.75	7/16-20	0.172	1/4-18	0.438	1.39
SS-2405-04-06	0.875	7/16-20	0.172	3/8-18	0.563	1.45
SS-2405-04-08	1.125	7/16-20	0.172	1/2-14	0.703	1.68
SS-2405-05-02	0.563	1/2-20	0.234	1/8-27	0.332	1.17
SS-2405-05-04	0.75	1/2-20	0.234	1/4-18	0.438	1.39
SS-2405-06-02	0.75	9/16-18	0.297	1/8-27	0.332	1.19
SS-2405-06-04	0.75	9/16-18	0.297	1/4-18	0.438	1.4
SS-2405-06-06	0.875	9/16-18	0.297	3/8-18	0.563	1.46
SS-2405-06-08	1.125	9/16-18	0.297	1/2-14	0.703	1.69
SS-2405-08-04	0.875	3/4-16	0.391	1/4-18	0.438	1.55
SS-2405-08-06	0.875	3/4-16	0.391	3/8-18	0.563	1.56
SS-2405-08-08	1.125	3/4-16	0.391	1/2-14	0.703	1.79
SS-2405-08-12	1.375	3/4-16	0.391	3/4-14	0.906	1.85
SS-2405-10-06	1.125	7/8-14	0.484	3/8-18	0.563	1.67
SS-2405-10-08	1.125	7/8-14	0.484	1/2-14	0.703	1.89

SS-2405-10-12	1.375	7/8-14	0.484	3/4-14	0.906	1.95
SS-2405-10-16	1.625	7/8-14	0.484	1-11-1/2	1.141	2.2
SS-2405-12-08	1.375	1-1/16-12	0.609	1/2-14	0.703	2.05
SS-2405-12-12	1.375	1-1/16-12	0.609	3/4-14	0.906	2.06
SS-2405-12-16	1.625	1-1/16-12	0.609	1-11-1/2	1.141	2.3
SS-2405-14-12	1.375	1-3/16-12	0.719	3/4-14	0.906	2.06
SS-2405-16-12	1.625	1-5/16-12	0.844	3/4-14	0.906	2.12
SS-2405-16-16	1.625	1-5/16-12	0.844	1-11-1/2	1.141	2.35
SS-2405-16-20	2	1-5/16-12	0.844	1-1/4-11-1/2	1.484	2.44
SS-2405-20-16	2	1-5/8-12	1.078	1-11-1/2	1.141	2.47
SS-2405-20-20	2	1-5/8-12	1.078	1-1/4-11-1/2	1.484	2.49
SS-2405-20-24	2.375	1-5/8-12	1.078	1-1/2-11-1/2	1.744	2.49
SS-2405-24-20	2.375	1-7/8-12	1.313	1-1/4-11-1/2	1.484	2.62
SS-2405-24-24	2.375	1-7/8-12	1.313	1-1/2-11-1/2	1.744	2.62
SS-2405-32-32	2.875	2-1/2-12	1.781	2-11-1/2	2.213	2.97

Competitor Cross Reference:

INTERCHANGEABLE WITH:					
SHF	AEROQUIP	PARKER	SSP	SAE	MS
2405-02-02	259-2022-2-2	2 GTX-SS	J2FC	70103	MS51503
2405-03-02	259-2022-2-3	3 GTX-SS	J3FC	70103	MS51503
2405-04-02	259-2022-2-4	4 GTX-SS	J4FC	70103	MS51503
2405-04-04	259-2022-4-4	4-4 GTX-SS	J4-4FC	70103	MS51503
2405-04-06	259-2022-6-4	4-6 GTX-SS	J4-6FC	70103	MS51503
2405-04-08	259-2022-8-4	4-8 GTX-SS	J4-8FC	70103	MS51503
2405-05-04	259-2022-4-5	5-4 GTX-SS	J5-4FC	70103	MS51503
2405-05-06	259-2022-6-5	5-6 GTX-SS	J5-6FC	70103	MS51503
2405-06-04	259-2022-4-6	6 GTX-SS	J6FC	70103	MS51503
2405-06-06	259-2022-6-6	6-6 GTX-SS	J6-6FC	70103	MS51503
2405-06-08	259-2022-8-6	6-8 GTX-SS	J6-8FC	70103	MS51503
2405-08-04	259-2022-4-8	8-4 GTX-SS	J8-4FC	70103	MS51503
2405-08-06	259-2022-6-8	8 GTX-SS	J8FC	70103	MS51503
2405-08-08	259-2022-8-8	8-8 GTX-SS	J8-8FC	70103	MS51503

2405-08-12	259-2022-12-8	8-12 GTX-SS	J8-12FC	70103	MS51503
2405-10-08	259-2022-8-10	10 GTX-SS	J10FC	70103	MS51503
2405-10-12	259-2022-12-10	10-12 GTX-SS	J10-12FC	70103	MS51503
2405-12-08	259-2022-8-12	12-8 GTX-SS	J12-8FC	70103	MS51503
2405-12-12	259-2022-12-12	12 GTX-SS	J12FC	70103	MS51503
2405-12-16	259-2022-16-12	12-16 GTX-SS	J12-16FC	70103	MS51503
2405-16-08	259-2022-8-16	16-8 GTX-SS	J16-8FC	70103	MS51503
2405-16-12	259-2022-12-16	16-12 GTX-SS	J16-12FC	70103	MS51503
2405-16-16	259-2022-16-16	16 GTX-SS	J16FC	70103	MS51503
2405-16-20	259-2022-20-16	16-20 GTX-SS	J16-20FC	70103	MS51503
2405-16-24	259-2022-24-16	16-24 GTX-SS	J16-24FC	70103	MS51503
2405-20-16	259-2022-16-20	20-16 GTX-SS	J20-16FC	70103	MS51503
2405-20-20	259-2022-20-20	20 GTX-SS	J20FC	70103	MS51503
2405-20-24	259-2022-24-20	20-24 GTX-SS	J20-24FC	70103	MS51503
2405-24-20	259-2022-20-24	24-20 GTX-SS	J24-20FC	70103	MS51503
2405-24-24	259-2022-24-24	24 GTX-SS	J24FC	70103	MS51503
2405-24-32	259-2022-32-24	24-32 GTX-SS	J24-32FC	70103	MS51503
2405-32-32	259-2022-32-32	32 GTX-SS	J32FC	70103	MS51503

Share your knowledge of this product. Be the first to write a review »

ABOUT US

- Company Info
- Contact Us
- Careers
- Reference Center

MY ACCOUNT

- View Cart
- Sign-In
- Order Status

PRODUCTS

- Product Index
- Category Index

HELPFUL INFO

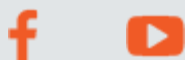
- Shipping & Returns
- Privacy Policy
- Terms & Conditions
- Warranty

QUESTIONS? CALL OR TEXT US!

Tel: (866) 620-7320
 Email: sales@hydraulicsdirect.com

Copyright 52540 Hydraulics Direct

FOLLOW US



TRUSTED SELLER

