



MY ACCOUNT BLOG

0 \$ 00.00

Home > Steel Adapters > 37 Degree JIC >

2705 -NPTF FEMALE PIPE X 37° JIC BULKHEAD STRAIGHT



(1) NPTF Female (2) JIC Male



Alternative Views:



NPTF Female Pipe x 37° JIC Bulkhead Straight

2705 JIC equivalent to the following:

* Parker WGTX-WLN-S

* Weatherhead C35725

* Aeroquip 2239

Use with 306 bulkhead lock nut

Available in stainless steel: SS-2705



PRESSURE RATINGS



DIMENSIONAL DRAWINGS



CROSS REFERENCE

NPTF FEMALE PIPE X 37° JIC BULKHEAD STRAIGHT

PRINT PAGE

ITEM#	ITEM NAME	OUR PRICE	QTY	
2705-02-04	2705-02-04 - 1/8" NPTF Female x 1/4" JIC (7/16"-20 thread) Bulkhead	\$2.79		
2705-04-04	2705-04-04 - 1/4" NPTF Female x 1/4" JIC (7/16"-20 thread) Bulkhead	\$6.89		
2705-04-06	2705-04-06 - 1/4" NPTF Female x 3/8" JIC (9/16"-18 thread) Bulkhead	\$3.92		
2705-06-06	2705-06-06 - 3/8" NPTF Female x 3/8" JIC (9/16"-18 thread) Bulkhead	\$8.99		
2705-06-08	2705-06-08 - 3/8" NPTF Female x 1/2" JIC (3/4"-16 thread) Bulkhead	\$5.68		
2705-08-08	2705-08-08 - 1/2" NPTF Female x 1/2" JIC (3/4"-16 thread) Bulkhead	\$9.29		
2705-08-10	2705-08-10 - 1/2" NPTF Female x 5/8" JIC (7/8"-14 thread) Bulkhead	\$10.11		

2705-12-12	2705-12-12 - 3/4" NPTF Female x 3/4" JIC (1 1/16"-12 thread) Bulkhead	\$9.77		
2705-16-16	2705-16-16 - 1" NPTF Female x 1" JIC (1 5/16"-12 thread) Bulkhead	\$10.88		
2705-20-20	2705-20-20 - 1-1/4" NPTF Female x 1-1/4" JIC (1-5/8"-12 thread) Bulkhead	\$29.62		
2705-24-24	2705-24-24 - 1-1/2" NPTF Female x 1-1/2" JIC (1-7/8"-12 thread) Bulkhead	\$96.41		

Check the items you wish to purchase, then click

ADD TO CART

Features

Material: High pressure carbon steel with zinc trivalent anti-corrosion coating SAE 37° JIC meets SAE J514 specifications and are used for petroleum and mineral oil based fluids in hydraulic applications

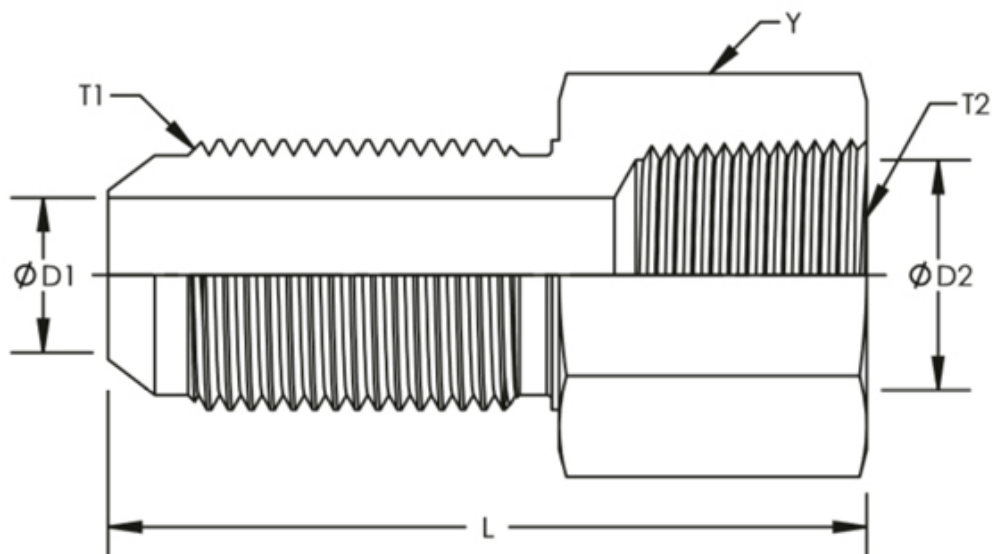
Product Details

Pressure Ratings:

SAE J514 Pressure Ratings					
Nom. SAE Dash Size	Nom. Tube O.D. Inches	37 Degree Flare Straight Thread	Nom. Pipe Size	SAE St. Threads Union & Bulkhead (PSI)	Fittings With Pipe Threads (PSI)
2	1/8	5/16"-24	1/8"	5000	5000
3	3/16	3/8"-24	1/8"	5000	5000
4	1/4	7/16"-20	1/8"	5000	5000
5	5/16	1/2"-20	1/8"	5000	5000
6	3/8	9/16"-18	1/4"	5000	5000
8	1/2	3/4"-16	3/8"	4500	4000
10	5/8	7/8"-14	1/2"	3500	3000
12	3/4	1 1/16"-12	3/4"	3500	3000
14	7/8	1 3/16"-12	3/4"	3000	2500
16	1	1 5/16"-12	1"	3000	2000
20	1 1/4	1 5/8"-12	1 1/4"	2500	1150
24	1 1/2	1 7/8"-12	1 1/2"	2000	1000
32	2	2 1/2"-12	2"	1500	1000

NOTE: Since many factors influence the pressure at which a system will or will not perform satisfactory, values shown in this table should not be construed as guaranteed minimum.

Dimensional Drawings:



Product ID	Y HEX	T1	D1	T2	D2	L
SS-2705-02-04	0.75	5/16-24	0.063	1/4-18	0.438	2.01
SS-2705-04-02	0.688	7/16-20	0.172	1/8-27	0.332	1.84
SS-2705-04-04	0.75	7/16-20	0.172	1/4-18	0.438	2.09
SS-2705-04-06	0.875	7/16-20	0.172	3/8-18	0.563	2.14
SS-2705-06-04	0.813	9/16-18	0.297	1/4-18	0.438	2.17
SS-2705-06-06	0.875	9/16-18	0.297	3/8-18	0.563	2.23
SS-2705-08-06	1	3/4-16	0.391	3/8-18	0.563	2.39
SS-2705-08-08	1.125	3/4-16	0.391	1/2-14	0.703	2.62
SS-2705-10-08	1.125	7/8-14	0.484	1/2-14	0.703	2.76
SS-2705-12-08	1.375	1-1/16-12	0.609	1/2-14	0.703	2.91
SS-2705-12-12	1.375	1-1/16-12	0.609	3/4-14	0.906	2.99
SS-2705-16-16	1.625	1-5/16-12	0.844	1-11-1/2	1.141	3.24
SS-2705-20-20	2	1-5/8-12	1.078	1-1/4-11-1/2	1.484	3.34
SS-2705-24-24	2.375	1-7/8-12	1.313	1-1/2-11-1/2	1.744	3.4

Competitor Cross Reference:

INTERCHANGEABLE WITH:				
ITEM #	AEROQUIP	PARKER	SSP	SAE
2705-04-04	259-2239-4-4	4-4 WGTX-SS	J4-4BFC	70603
2705-06-06	259-2239-6-6	6-6 WGTX-SS	J6-6BFC	70603
2705-06-08	259-2239-6-8	6-8 WGTX-SS	J6-8BFC	70603
2705-08-06	259-2239-8-6	8 WGTX-SS	J8BFC	70603
2705-08-08	259-2239-8-8	8-8 WGTX-SS	J8-8BFC	70603

2705-08-10	259-2239-8-10	10 WGTX-SS	J10BFC	70603
2705-12-12	259-2239-12-12	12 WGTX-SS	J12BFC	70603
2705-16-16	259-2239-16-16	16 WGTX-SS	J16BFC	70603
2705-20-20	259-2239-20-20	20 WGTX-SS	J20BFC	70603
2705-24-24	259-2239-24-24	24 WGTX-SS	J24BFC	70603

Share your knowledge of this product. Be the first to write a review »

ABOUT US

- Company Info
- Contact Us
- Careers
- Reference Center

MY ACCOUNT

- View Cart
- Sign-In
- Order Status

PRODUCTS

- Product Index
- Category Index

HELPFUL INFO

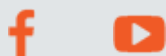
- Shipping & Returns
- Privacy Policy
- Terms & Conditions
- Warranty

QUESTIONS? CALL OR TEXT US!

Tel: (866) 620-7320
 Email: sales@hydraulicsdirect.com

Copyright 52565 Hydraulics Direct

FOLLOW US



TRUSTED SELLER

