


[Home](#) > [Steel Adapters](#) > [NPT Pipe Fittings](#) >

5501 -NPTF PIPE 45° MALE ELBOW



NPTF Pipe 45° Male Elbow

5501 NPTF Pipe are equivalent to the following:
* Aeroquip 2247



PRESSURE
RATINGS



DIMENSIONAL
DRAWINGS



CROSS
REFERENCE

(1,2) NPTF Male



Alternative Views:



NPTF PIPE 45° MALE ELBOW

[PRINT PAGE](#)

ITEM#	ITEM NAME	OUR PRICE	QTY	
5501-02-02	5501-02-02 - 45° Elbow, 1/8" NPTF Male x 1/8" NPTF Male	\$7.02		
5501-04-04	5501-04-04 - 45° Elbow, 1/4" NPTF Male x 1/4" NPTF Male	\$5.07		
5501-06-06	5501-06-06 - 45° Elbow, 3/8" NPTF Male x 3/8" NPTF Male	\$5.67		
5501-08-08	5501-08-08 - 45° Elbow, 1/2" NPTF Male x 1/2" NPTF Male	\$6.91		
5501-12-12	5501-12-12 - 45° Elbow, 3/4" NPTF Male x 3/4" NPTF Male	\$12.67		

5501-16-16	5501-16-16 - 45° Elbow, 1" NPTF Male x 1" NPTF Male	\$20.29		
5501-20-20	5501-20-20 - 45° Elbow, 1-1/4" NPTF Male x 1-1/4" NPTF Male	\$58.28		
5501-24-24	5501-24-24 - 45° Elbow, 1-1/2" NPTF Male x 1-1/2" NPTF Male	\$79.46		

Check the items you wish to purchase, then click

ADD TO CART

Features

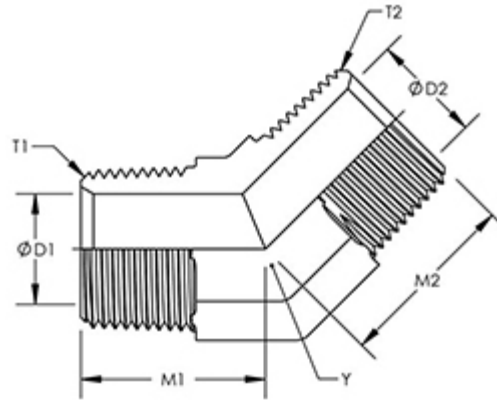
Material: High pressure carbon steel with zinc trivalent anti-corrosion coating. SAE National Pipe Thread Fuel (NPTF/NPT) meets SAE J476 specifications and is used for petroleum and mineral oil based fluids in hydraulic applications.

Product Details

Pressure:

NPT PRESSURE RATINGS, ANSI/ASME B 31.3					
SIZE	NPT	MALE		FEMALE	
DESIGNATOR	SIZE	PSIG	BAR	PSIG	BAR
1	1/16	11000	757	6700	461
2	1/8	10000	689	6500	447
4	1/4	8000	551	6600	454
6	3/8	7800	537	5300	365
8	1/2	7700	530	4900	337
12	3/4	7300	502	4600	316
16	1	5300	365	4400	303
20	1 1/4	6000	413	5000	344
24	1 1/2	5000	344	4600	316
32	2	3900	268	3900	268

Dimensional Drawings:



Product ID	Y HEX	T1	M1	D1	T2	M2	D2
SS-5501-04-04	0.563	1/4-18	0.86	0.281	1/4-18	0.86	0.281
SS-5501-06-06	0.75	3/8-18	0.95	0.406	3/8-18	0.95	0.406
SS-5501-08-08	0.875	1/2-14	1.17	0.531	1/2-14	1.17	0.531
SS-5501-12-12	1.063	3/4-14	1.2	0.719	3/4-14	1.2	0.719
SS-5501-16-16	1.313	1-11-1/2	1.48	0.938	1-11-1/2	1.48	0.938
SS-5501-20-20	1.625	1-1/4-11-1/2	1.67	1.25	1-1/4-11-1/2	1.67	1.25
SS-5501-24-24	1.875	1-1/2-11-1/2	1.77	1.5	1-1/2-11-1/2	1.77	1.5

Competitor Cross Reference:

INTERCHANGEABLE WITH COMPETITOR PART NUMBERS			
ITEM #	AEROQUIP	SSP	SAE
5501-04-04	259-2247-4-4	1/4MM-45	140337
5501-06-06	259-2247-6-6	3/8MM-45	140337
5501-08-08	259-2247-8-8	1/2MM-45	140337
5501-12-12	259-2247-12-12	3/4MM-45	140337
5501-16-16	259-2247-16-16	1 MM-45	140337

Share your knowledge of this product. Be the first to write a review »

ABOUT US

- Company Info
- Contact Us
- Careers
- Reference Center

MY ACCOUNT

- View Cart
- Sign-In
- Order Status

PRODUCTS

- Product Index
- Category Index

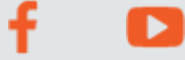
HELPFUL INFO

- Shipping & Returns
- Privacy Policy
- Terms & Conditions
- Warranty

QUESTIONS? CALL OR TEXT US!

Tel: (866) 620-7320
 Email: sales@hydraulicsdirect.com

FOLLOW US



TRUSTED SELLER

