


[Home](#) > [Steel Adapters](#) > [NPT Pipe Fittings](#) >

## 5406C -NPTF PIPE CAP



NPTF Female



Alternative Views:



### NPTF Pipe Cap

SAE National Pipe Thread Fuel (NPTF/NPT) meets SAE J476 specifications and is used for petroleum and mineral oil based fluids in hydraulic applications.

Available in stainless steel: SS-5406C



PRESSURE  
RATINGS



DIMENSIONAL  
DRAWINGS



CROSS  
REFERENCE

## NPTF PIPE CAP

[PRINT PAGE](#)

ITEM#	ITEM NAME	OUR PRICE	QTY	
5406C-02	5406C-02 - Pipe Cap, 1/8" NPTF Female	<b>\$1.20</b>		
5406C-04	5406C-04 - Pipe Cap, 1/4" NPTF Female	<b>\$1.34</b>		
5406C-06	5406C-06 - Pipe Cap, 3/8" NPTF Female	<b>\$1.45</b>		
5406C-08	5406C-08 - Pipe Cap, 1/2" NPTF Female	<b>\$2.23</b>		
5406C-12	5406C-12 - Pipe Cap, 3/4" NPTF Female	<b>\$4.01</b>		

5406C-16	5406C-16 - Pipe Cap, 1" NPTF Female	<b>\$18.80</b>		
5406C-24	5406C-24 - Pipe Cap, 1 1/2" NPTF Female	<b>\$38.89</b>		

Check the items you wish to purchase, then click

**ADD TO CART**

## Features

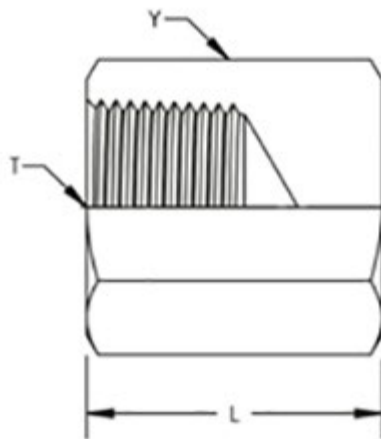
Material: High pressure carbon steel with zinc trivalent anti-corrosion coating. SAE National Pipe Thread Fuel (NPTF/NPT) meets SAE J476 specifications and is used for petroleum and mineral oil based fluids in hydraulic applications.

## Product Details

### Pressure:

NPT PRESSURE RATINGS, ANSI/ASME B 31.3					
SIZE	NPT	MALE		FEMALE	
DESIGNATOR	SIZE	PSIG	BAR	PSIG	BAR
1	1/16	11000	757	6700	461
2	1/8	10000	689	6500	447
4	1/4	8000	551	6600	454
6	3/8	7800	537	5300	365
8	1/2	7700	530	4900	337
12	3/4	7300	502	4600	316
16	1	5300	365	4400	303
20	1 1/4	6000	413	5000	344
24	1 1/2	5000	344	4600	316
32	2	3900	268	3900	268

### Dimensional Drawings:



ITEM #	PC-1	Thread-1	A
SS-5406-C-02	1/8	1/8-27	0.69
SS-5406-C-04	1/4	1/4-18	0.92
SS-5406-C-06	3/8	3/8-18	0.97
SS-5406-C-08	1/2	1/2-14	1.163
SS-5406-C-12	3/4	3/4-14	1.262
SS-5406-C-16	1	1-11 1/2	1.461
SS-5406-C-20	1 1/4	1 1/4 11 1/2	1.72
SS-5406-C-24	1 1/2	1 1/2 11 1/2	1.78

### Competitor Cross Reference:

INTERCHANGEABLE WITH COMPETITOR PART NUMBERS		
ITEM #	PARKER	SSP
5406-C-02	1/8 HPC-SS	1/8 PC
5406-C-04	1/4 HPC-SS	1/4 PC
5406-C-06	3/8 HPC-SS	3/8 PC
5406-C-08	1/2 HPC-SS	1/2 PC
5406-C-12	3/4 HPC-SS	3/4 PC
5406-C-16	1 HPC-SS	1 PC
5406-C-20	1 1/4 HPC-SS	-
5406-C-24	1 1/2 HPC-SS	-

Share your knowledge of this product. Be the first to write a review »

[ABOUT US](#)

[MY ACCOUNT](#)

[PRODUCTS](#)

[HELPFUL INFO](#)

[QUESTIONS? CALL OR](#)

[Company Info](#)

[View Cart](#)

[Product Index](#)

[Shipping & Returns](#)

**TEXT US!**

[Contact Us](#)

[Sign-In](#)

[Category Index](#)

[Privacy Policy](#)

Tel: (866) 620-7320

[Careers](#)

[Order Status](#)

[Terms & Conditions](#)

Email:

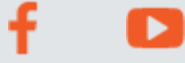
[Reference Center](#)

[Warranty](#)

[sales@hydraulicsdirect.com](mailto:sales@hydraulicsdirect.com)

Copyright 52507 Hydraulics Direct

## FOLLOW US



## TRUSTED SELLER

