

[MY ACCOUNT](#) [BLOG](#)[0 \\$ 00.00](#)[Home](#) > [Steel Adapters](#) > [NPT Pipe Fittings](#) >

5000 -NPTF PIPE FEMALE COUPLING



(1,2) NPTF Female



Alternative Views:



NPTF Pipe Female Coupling

5000 NPTF Pipe are equivalent to the following:

- * SAE 140138
- * Parker Hydraulics 0202
- * Parker GG
- * Weatherhead C3309
- * Aeroquip 2096

Available in stainless steel: [SS-5000](#)PRESSURE
RATINGSDIMENSIONAL
DRAWINGSCROSS
REFERENCE

NPTF PIPE FEMALE COUPLING

[PRINT PAGE](#)

ITEM#	ITEM NAME	OUR PRICE	QTY	
5000-02-02	5000-02-02 - 1/8" NPTF Female x 1/8" NPTF Female	\$0.85		
5000-04-02	5000-04-02 - 1/4" NPTF Female x 1/8" NPTF Female	\$1.34		
5000-04-04	5000-04-04 - 1/4" NPTF Female x 1/4" NPTF Female	\$0.90		
5000-06-02	5000-06-02 - 3/8" NPTF Female x 1/8" NPTF Female	\$2.87		

5000-06-04	5000-06-04 - 3/8" NPTF Female x 1/4" NPTF Female	\$1.76		
5000-06-06	5000-06-06 - 3/8" NPTF Female x 3/8" NPTF Female	\$1.21		
5000-08-04	5000-08-04 - 1/2" NPTF Female x 1/4" NPTF Female	\$2.05		
5000-08-06	5000-08-06 - 1/2" NPTF Female x 3/8" NPTF Female	\$1.97		
5000-08-08	5000-08-08 - 1/2" NPTF Female x 1/2" NPTF Female	\$1.91		
5000-12-04	5000-12-04 - 3/4" NPTF Female x 1/4" NPTF Female	\$7.23		
5000-12-06	5000-12-06 - 3/4" NPTF Female x 3/8" NPTF Female	\$8.86		
5000-12-08	5000-12-08 - 3/4" NPTF Female x 1/2" NPTF Female	\$3.18		
5000-12-12	5000-12-12 - 3/4" NPTF Female x 3/4" NPTF Female	\$2.61		
5000-16-08	5000-16-08 - 1" NPTF Female x 1/2" NPTF Female	\$18.20		
5000-16-12	5000-16-12 - 1" NPTF Female x 3/4" NPTF Female	\$6.53		
5000-16-16	5000-16-16 - 1" NPTF Female x 1" NPTF Female	\$4.28		
5000-20-16	5000-20-16 - 1-1/4" NPTF Female x 1" NPTF Female	\$17.79		
5000-20-20	5000-20-20 - 1-1/4" NPTF Female x 1-1/4" NPTF Female	\$8.35		
5000-24-24	5000-24-24 - 1-1/2" NPTF Female x 1-1/2" NPTF Female	\$13.82		
5000-32-32	5000-32-32 - 2" NPTF Female x 2" NPTF Female	\$35.97		

Check the items you wish to purchase, then click

ADD TO CART

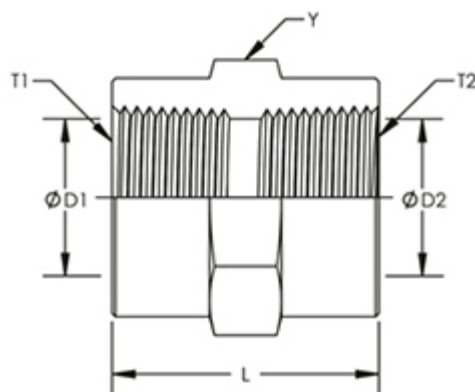
Features

Material: High pressure carbon steel with zinc trivalent anti-corrosion coating. SAE National Pipe Thread Fuel (NPTF/NPT) meets SAE J476 specifications and is used for petroleum and mineral oil based fluids in hydraulic applications.

Product Details

Pressure:

NPT PRESSURE RATINGS, ANSI/ASME B 31.3					
SIZE	NPT	MALE		FEMALE	
DESIGNATOR	SIZE	PSIG	BAR	PSIG	BAR
1	1/16	11000	757	6700	461
2	1/8	10000	689	6500	447
4	1/4	8000	551	6600	454
6	3/8	7800	537	5300	365
8	1/2	7700	530	4900	337
12	3/4	7300	502	4600	316
16	1	5300	365	4400	303
20	1 1/4	6000	413	5000	344
24	1 1/2	5000	344	4600	316
32	2	3900	268	3900	268

Dimensional Drawings:

TITAN	Y HEX	T1	D1	T2	D2	L
SS-5000-02-02	.625	1/8-27	.332	1/8-27	.332	.750
SS-5000-04-02	.750	1/4-18	.438	1/8-27	.332	1.130
SS-5000-04-04	.750	1/4-18	.438	1/4-18	.438	1.130
SS-5000-06-02	.875	3/8-18	.563	1/8-27	.332	1.130
SS-5000-06-04	.875	3/8-18	.563	1/4-18	.438	1.130
SS-5000-06-06	.875	3/8-18	.563	3/8-18	.563	1.130

SS-5000-08-04	1.15	1/2-14	.703	1/4-18	.438	1.500
SS-5000-08-06	1.125	1/2-14	.703	3/8-18	.563	1.500
SS-5000-08-08	1.125	1/2-14	.703	1/2-14	.703	1.500
SS-5000-12-06	1.375	3/4-14	.906	3/8-18	.563	1.530
SS-5000-12-08	1.375	3/4-14	.906	1/2-14	.703	1.530
SS-5000-12-12	1.375	3/4-14	.906	3/4-14	.906	1.530
SS-5000-16-08	1.625	1-11-1/2	1.141	1/2-14	.703	1.890
SS-5000-16-12	1.625	1-11-1/2	1.141	3/4-14	.906	1.890
SS-5000-16-16	1.625	1-11-1/2	1.141	1-11-1/2	1.141	1.890
SS-5000-20-16	2.000	1-1/4-11-1/2	1.484	1-11-1/2	1.141	1.930
SS-5000-20-20	2.000	1-1/4-11-1/2	1.484	1-1/4-11-1/2	1.484	1.930
SS-5000-24-20	2.375	1-1/2-11-1/2	1.744	1-1/4-11-1/2	1.484	1.930
SS-5000-24-24	2.375	1-1/2-11-1/2	1.744	1-1/2-11-1/2	1.744	1.930
SS-5000-32-24	2.875	2-11-1/2	2.213	1-1/2-11-1/2	1.744	1.960
SS-5000-32-32	2.875	2-11-1/2	2.213	2-11-1/2	2.213	1.960

Competitor Cross Reference:

INTERCHANGEABLE WITH COMPETITOR PART NUMBERS				
ITEM #	AEROQUIP	PARKER	SSP	SAE
5000-02-02	-	1/8 GG-SS	1/8HC	140138
5000-04-02	-	1/4 x 1/8 GG-SS	1/4X1/8HC	140138
5000-04-04	259-2096-4	1/4 GG-SS	1/4HC	140138
5000-06-04	-	3/8 x 1/4 GG-SS	3/8X1/4HC	140138
5000-06-06	259-2096-6	3/8 GG-SS	3/8HC	140138
5000-08-04	-	1/2 x 1/4 GG-SS	1/2X1/4HC	140138
5000-08-06	-	1/2 x 3/8 GG-SS	1/2X3/8HC	140138
5000-08-08	259-2096-8	1/2 GG-SS	1/2HC	140138
5000-12-06	-	3/4 x 3/8 GG-SS	-	140138
5000-12-08	-	3/4 x 1/2 GG-SS	3/4X1/2HC	140138
5000-12-12	259-2096-12	3/4 GG-SS	3/4HC	140138
5000-16-08	-	1 x 1/2 GG-SS	1X1/2HC	140138
5000-16-12	-	1 x 3/4 GG-SS	1X3/4HC	140138
5000-16-16	259-2096-16	1 GG-SS	1HC	140138

5000-20-16	-	1 1/4 x 1 GG-SS	-	140138
5000-20-20	259-2096-20	1 1/4 GG-SS	1-1/4HC	140138
5000-24-08	-	-	-	140138
5000-24-12	-	-	-	140138
5000-24-16	-	-	-	140138
5000-24-20	-	1 1/2 x 1 1/4 GG-SS	-	140138
5000-24-24	259-2096-24	1 1/2 GG-SS	1-1/2HC	
5000-32-20	-	-	-	140138
5000-32-24	-	-	-	140138
5000-32-32	-	2 GG-SS	2HC	140138
5000-40-40	-	-	-	140138
5000-48-48	-	-	-	140138

CUSTOMER REVIEWS

Average Rating:  5 of 5 Total Reviews: 1 [Write a review »](#)

1 of 1 people found the following review helpful:



 5000 fitting

February 12, 2013

Reviewer: test test from test, CO United States

Good quality

Was this review helpful to you?

YES

NO

ABOUT US

Company Info
Contact Us
Careers
Reference Center

MY ACCOUNT

View Cart
Sign-In
Order Status

PRODUCTS

Product Index
Category Index

HELPFUL INFO

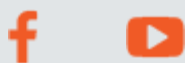
Shipping & Returns
Privacy Policy
Terms & Conditions
Warranty

QUESTIONS? CALL OR TEXT US!

Tel: (866) 620-7320
Email:
sales@hydraulicsdirect.com

Copyright 52506 Hydraulics Direct

FOLLOW US



TRUSTED SELLER



