

[MY ACCOUNT](#)[BLOG](#)

0 \$ 00.00

[Home](#) > [Steel Adapters](#) > [NPT Pipe Fittings](#) >

5404 -NPTF PIPE MALE HEX NIPPLE



NPTF Pipe Male Hex Nipple

5404 NPTF Pipe are equivalent to the following:

- * SAE 140137
- * Parker Hydraulics 0101
- * Parker GG
- * Weatherhead C3069
- * Aeroquip 2083

Available in stainless steel: [SS-5404](#)

(1,2) NPTF Male



Alternative Views:



PRESSURE
RATINGS



DIMENSIONAL
DRAWINGS



CROSS
REFERENCE

NPTF PIPE MALE HEX NIPPLE

[PRINT PAGE](#)

ITEM#	ITEM NAME	OUR PRICE	QTY	
5404-02-02	5404-02-02 - 1/8" NPTF Male x 1/8" NPTF Male	\$0.55		
5404-04-02	5404-04-02 - 1/4" NPTF Male x 1/8" NPTF Male	\$0.74		
5404-04-04	5404-04-04 - 1/4" NPTF Male x 1/4" NPTF Male	\$0.69		
5404-06-02	5404-06-02 - 3/8" NPTF Male x 1/8" NPTF Male	\$1.84		

5404-06-04	5404-06-04 - 3/8" NPTF Male x 1/4" NPTF Male	\$1.10		
5404-06-06	5404-06-06 - 3/8" NPTF Male x 3/8" NPTF Male	\$1.23		
5404-08-04	5404-08-04 - 1/2" NPTF Male x 1/4" NPTF Male	\$1.47		
5404-08-06	5404-08-06 - 1/2" NPTF Male x 3/8" NPTF Male	\$1.52		
5404-08-08	5404-08-08 - 1/2" NPTF Male x 1/2" NPTF Male	\$1.16		
5404-12-04	5404-12-04 - 3/4" NPTF Male x 1/4" NPTF Male	\$9.85		
5404-12-06	5404-12-06 - 3/4" NPTF Male x 3/8" NPTF Male	\$9.16		
5404-12-08	5404-12-08 - 3/4" NPTF Male x 1/2" NPTF Male	\$2.20		
5404-12-12	5404-12-12 - 3/4" NPTF Male x 3/4" NPTF Male	\$2.46		
5404-16-08	5404-16-08 - 1" NPTF Male x 1/2" NPTF Male	\$11.73		
5404-16-12	5404-16-12 - 1" NPTF Male x 3/4" NPTF Male	\$4.24		
5404-16-16	5404-16-16 - 1" NPTF Male x 1" NPTF Male	\$3.37		
5404-20-12	5404-20-12 - 1-1/4" NPTF Male x 3/4" NPTF Male	\$20.01		
5404-20-16	5404-20-16 - 1-1/4" NPTF Male x 1" NPTF Male	\$8.34		
5404-20-20	5404-20-20 - 1-1/4" NPTF Male x 1-1/4" NPTF Male	\$6.32		
5404-24-12	5404-24-12 - 1-1/2" NPTF Male x 3/4" NPTF Male	\$28.66		
5404-24-16	5404-24-16 - 1-1/2" NPTF Male x 1" NPTF Male	\$22.03		
5404-24-20	5404-24-20 - 1-1/2" NPTF Male x 1-1/4" NPTF Male	\$17.76		
5404-24-24	5404-24-24 - 1-1/2" NPTF Male x 1-1/2" NPTF Male	\$11.48		
5404-32-16	5404-32-16 - 2" NPTF Male x 1" NPTF Male	\$93.45		
5404-32-20	5404-32-20 - 2" NPTF Male x 1-1/4" NPTF Male	\$62.39		
5404-32-24	5404-32-24 - 2" NPTF Male x 1-1/2" NPTF Male	\$28.00		

5404-32-32

5404-32-32 - 2" NPTF Male x 2" NPTF Male

\$27.32

Check the items you wish to purchase, then click

ADD TO CART

Features

Material: High pressure carbon steel with zinc trivalent anti-corrosion coating. SAE National Pipe Thread Fuel (NPTF/NPT) meets SAE J476 specifications and is used for petroleum and mineral oil based fluids in hydraulic applications.

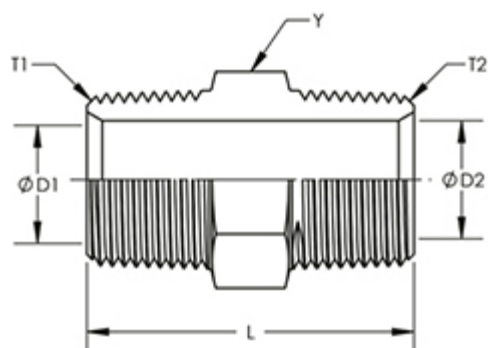
Product Details

Pressure:

NPT PRESSURE RATINGS, ANSI/ASME B 31.3

SIZE	NPT	MALE		FEMALE	
DESIGNATOR	SIZE	PSIG	BAR	PSIG	BAR
1	1/16	11000	757	6700	461
2	1/8	10000	689	6500	447
4	1/4	8000	551	6600	454
6	3/8	7800	537	5300	365
8	1/2	7700	530	4900	337
12	3/4	7300	502	4600	316
16	1	5300	365	4400	303
20	1 1/4	6000	413	5000	344
24	1 1/2	5000	344	4600	316
32	2	3900	268	3900	268

Dimensional Drawings:



Product ID	Y HEX	T1	D1	T2	D2	L
SS-5404-02-02	0.438	1/8-27	0.188	1/8-27	0.188	1.06
SS-5404-04-02	0.625	1/4-18	0.281	1/8-27	0.188	1.26
SS-5404-04-04	0.625	1/4-18	0.281	1/4-18	0.281	1.45
SS-5404-06-02	0.75	3/8-18	0.406	1/8-27	0.188	1.26
SS-5404-06-04	0.75	3/8-18	0.406	1/4-18	0.281	1.45
SS-5404-06-06	0.75	3/8-18	0.406	3/8-18	0.406	1.45
SS-5404-08-02	0.875	1/2-14	0.531	1/8-27	0.188	1.51
SS-5404-08-04	0.875	1/2-14	0.531	1/4-18	0.281	1.7
SS-5404-08-06	0.875	1/2-14	0.531	3/8-18	0.406	1.7
SS-5404-08-08	0.875	1/2-14	0.531	1/2-14	0.531	1.89
SS-5404-12-06	1.125	3/4-14	0.719	3/8-18	0.406	1.77
SS-5404-12-08	1.125	3/4-14	0.719	1/2-14	0.531	1.96
SS-5404-12-12	1.125	3/4-14	0.719	3/4-14	0.719	1.96
SS-5404-16-06	1.375	1-11-1/2	0.938	3/8-18	0.406	1.96
SS-5404-16-08	1.375	1-11-1/2	0.938	1/2-14	0.531	2.15
SS-5404-16-12	1.375	1-11-1/2	0.938	3/4-14	0.719	2.15
SS-5404-16-16	1.375	1-11-1/2	0.938	1-11-1/2	0.938	2.34
SS-5404-20-12	1.75	1-1/4-11-1/2	1.25	3/4-14	0.719	2.26
SS-5404-20-16	1.75	1-1/4-11-1/2	1.25	1-11-1/2	0.938	2.45
SS-5404-20-20	1.75	1-1/4-11-1/2	1.25	1-1/4-11-1/2	1.25	2.48
SS-5404-24-12	2	1-1/2-11-1/2	1.5	3/4-14	0.719	2.36
SS-5404-24-16	2	1-1/2-11-1/2	1.5	1-11-1/2	0.938	2.55
SS-5404-24-20	2	1-1/2-11-1/2	1.5	1-1/4-11-1/2	1.25	2.58
SS-5404-24-24	2	1-1/2-11-1/2	1.5	1-1/2-11-1/2	1.5	2.61

SS-5404-32-20	2.5	2-11-1/2	1.938	1-1/4-11-1/2	1.25	2.76
SS-5404-32-24	2.5	2-11-1/2	1.938	1-1/2-11-1/2	1.5	2.79
SS-5404-32-32	2.5	2-11-1/2	1.938	2-11-1/2	1.938	2.82

Competitor Cross Reference:

INTERCHANGEABLE WITH:				
ITEM #	AEROQUIP	PARKER	SSP	SAE
5404-02-02	259-2083-2-2	1/8 FF-SS	1/8HN	140137
5404-04-02	259-2083-4-2	1/4 x 1/8 FF-SS	1/4X1/8HN	140137
5404-04-04	259-2083-4-4	1/4 FF-SS	1/4HN	140137
5404-06-02	-	3/8 x 1/8 FF-SS	-	140137
5404-06-04	259-2083-6-4	3/8 x 1/4 FF-SS	3/8X1/4HN	140137
5404-06-06	259-2083-6-6	3/8 FF-SS	3/8HN	140137
5404-08-04	259-2083-8-4	1/2 x 1/4 FF-SS	1/2X1/4HN	140137
5404-08-06	259-2083-8-6	1/2 x 3/8 FF-SS	1/2X3/8HN	140137
5404-08-08	259-2083-8-8	1/2 FF-SS	1/2HN	140137
5404-12-14	-	3/4 x 1/4 FF-SS	3/4X1/4HN	140137
5404-12-06	259-2083-12-6	3/4 x 3/8 FF-SS	3/4X3/8HN	140137
5404-12-08	259-2083-12-8	3/4 x 1/2 FF-SS	3/4X1/2HN	140137
5404-12-12	259-2083-12-12	3/4 FF-SS	3/4HN	140137
5404-16-04	-	1 x 1/4 FF-SS	-	140137
5404-16-06	-	1 x 3/8 FF-SS	-	140137
5404-16-08	-	1 x 1/2 FF-SS	1X1/2HN	140137
5404-16-12	259-2083-16-12	1 x 3/4 FF-SS	1X3/4HN	140137
5404-16-16	259-2083-16-16	1 FF-SS	1HN	140137
5404-20-16	259-2083-20-16	1 1/4 x 1 FF-SS	-	140137
5404-20-20	259-2083-20-20	1 1/4 FF-SS	1-1/4HN	140137
5404-24-16	-	1 1/2 x 1 FF-SS	-	140137
5404-24-20	-	-	-	140137
5404-24-24	259-2083-24-24	1 1/2 FF-SS	1-1/2HN	140137
5404-32-16	-	-	-	140137
5404-32-20	-	-	-	140137
5404-32-24	-	2 x 1 1/2 FF-SS	-	140137

5404-32-32	259-2083-32-32	2 FF-SS	2HN	140137
------------	----------------	---------	-----	--------

Share your knowledge of this product. Be the first to write a review »

ABOUT US

[Company Info](#)
[Contact Us](#)
[Careers](#)
[Reference Center](#)

MY ACCOUNT

[View Cart](#)
[Sign-In](#)
[Order Status](#)

PRODUCTS

[Product Index](#)
[Category Index](#)

HELPFUL INFO

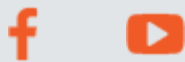
[Shipping & Returns](#)
[Privacy Policy](#)
[Terms & Conditions](#)
[Warranty](#)

QUESTIONS? CALL OR TEXT US!

Tel: (866) 620-7320
Email:
sales@hydraulicsdirect.com

Copyright 52507 Hydraulics Direct

FOLLOW US



TRUSTED SELLER

