


[Home](#) > [Steel Adapters](#) > [NPT Pipe Fittings](#) >

5600 -NPTF PIPE MALE TEE



NPTF Pipe Male Tee

Available in stainless steel: SS-5600



PRESSURE
RATINGS



DIMENSIONAL
DRAWINGS



CROSS
REFERENCE

(1,2,3) NPTF Male



Alternative Views:



NPTF PIPE MALE TEE

[PRINT PAGE](#)

ITEM#	ITEM NAME	OUR PRICE	QTY	
5600-02-02-02	5600-02-02-02 - Male Pipe Tee, 1/8" NPTF x 1/8" NPTF x 1/8" NPTF	\$8.51		
5600-04-04-04	5600-04-04-04 - Male Pipe Tee, 1/4" NPTF x 1/4" NPTF x 1/4" NPTF	\$5.59		
5600-06-06-06	5600-06-06-06 - Male Pipe Tee, 3/8" NPTF x 3/8" NPTF x 3/8" NPTF	\$6.68		
5600-08-08-08	5600-08-08-08 - Male Pipe Tee, 1/2" NPTF x 1/2" NPTF x 1/2" NPTF	\$7.45		
5600-12-12-12	5600-12-12-12 - Male Pipe Tee, 3/4" NPTF x 3/4" NPTF x 3/4" NPTF	\$9.87		

5600-16-16-16	5600-16-16-16 - Male Pipe Tee, 1" NPTF x 1" NPTF x 1" NPTF	\$23.20		
5600-20-20-20	5600-20-20-20 - Male Pipe Tee, 1-1/4" NPTF x 1-1/4" NPTF x 1-1/4" NPTF	\$45.83		

Check the items you wish to purchase, then click

ADD TO CART

Features

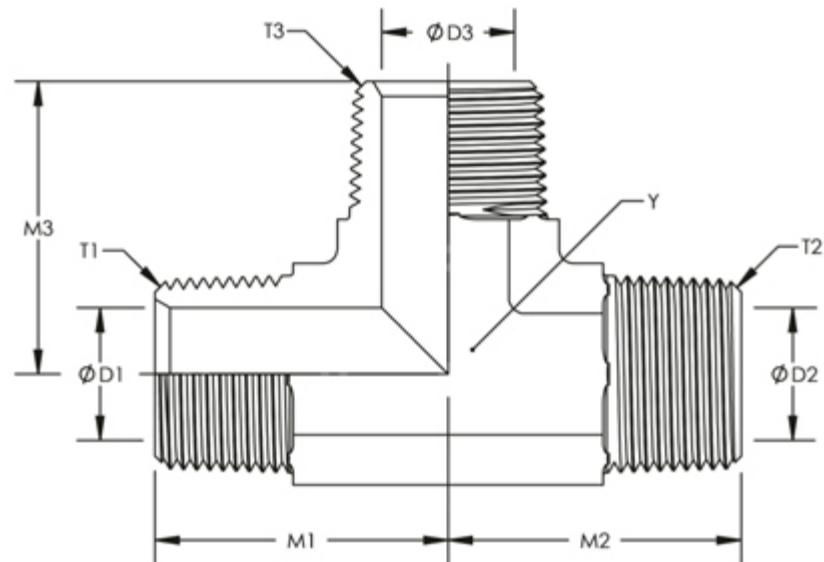
Material: High pressure carbon steel with zinc trivalent anti-corrosion coating. SAE National Pipe Thread Fuel (NPTF/NPT) meets SAE J476 specifications and is used for petroleum and mineral oil based fluids in hydraulic applications.

Product Details

Pressure:

NPT PRESSURE RATINGS, ANSI/ASME B 31.3					
SIZE	NPT	MALE		FEMALE	
DESIGNATOR	SIZE	PSIG	BAR	PSIG	BAR
1	1/16	11000	757	6700	461
2	1/8	10000	689	6500	447
4	1/4	8000	551	6600	454
6	3/8	7800	537	5300	365
8	1/2	7700	530	4900	337
12	3/4	7300	502	4600	316
16	1	5300	365	4400	303
20	1 1/4	6000	413	5000	344
24	1 1/2	5000	344	4600	316
32	2	3900	268	3900	268

Dimensional Drawings:



Product ID	Y HEX	T1	M1	D1	T2	M2	D2	T3	M3	D3
SS-5600-02-02-02	0.438	1/8-27	0.78	0.188	1/8-27	0.78	0.188	1/8-27	0.78	0.18
SS-5600-04-04-04	0.563	1/4-18	1.09	0.281	1/4-18	1.09	0.281	1/4-18	1.09	0.28
SS-5600-06-06-06	0.75	3/8-18	1.22	0.406	3/8-18	1.22	0.406	3/8-18	1.22	0.40
SS-5600-08-08-08	0.875	1/2-14	1.47	0.531	1/2-14	1.47	0.531	1/2-14	1.47	0.53
SS-5600-12-12-12	1.063	3/4-14	1.59	0.719	3/4-14	1.59	0.719	3/4-14	1.59	0.71
SS-5600-16-16-16	1.313	1-11-1/2	1.970	0.938	1-11-1/2	1.970	0.938	1-11-?	1.97	0.93

Competitor Cross Reference:

INTERCHANGEABLE WITH COMPETITOR PART NUMBERS				
ITEM #	AEROQUIP	PARKER	SSP	SAE
5600-02-02-02	259-2257-2-2	1/8 RRS-SS	1/8MMM	140437
5600-04-04-04	259-2257-4-4	1/4 RRS-SS	1/4MMM	140437
5600-06-06-06	259-2257-6-6	3/8 RRS-SS	3/8MMM	140437
5600-08-08-08	259-2257-8-8	1/2 RRS-SS	1/2MMM	140437
5600-12-12-12	259-2257-12-12	3/4 RRS-SS	3/4MMM	140437
5600-16-16-16	259-2257-16-16	1 RRS-SS	1MMM	140437
5600-20-20-20	-	-	-	140437
5600-24-24-24	-	-	-	140437
5600-32-32-32	-	-	-	140437

Share your knowledge of this product. Be the first to write a review »

ABOUT US

- Company Info
- Contact Us
- Careers
- Reference Center

MY ACCOUNT

- View Cart
- Sign-In
- Order Status

PRODUCTS

- Product Index
- Category Index

HELPFUL INFO

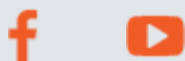
- Shipping & Returns
- Privacy Policy
- Terms & Conditions
- Warranty

QUESTIONS? CALL OR TEXT US!

Tel: (866) 620-7320
Email:
sales@hydraulicsdirect.com

Copyright 52507 Hydraulics Direct

FOLLOW US



TRUSTED SELLER

