

[MY ACCOUNT](#) [BLOG](#)[0 \\$ 00.00](#)[Home](#) > [Steel Adapters](#) > [Pipe Female Swivel \(NPSM\)](#) >

## 1501 -NPTF PIPE MALE X NPSM PIPE SWIVEL FEMALE 90° ELBOW



### NPTF Pipe Male x NPSM Pipe Swivel Female 90° Elbow

1501 adapter fittings are equivalent to the following:

- \* SAE 140230
- \* Parker Hydraulics 2107
- \* Weatherhead 9405
- \* Aeroquip 2047

Available in stainless steel: SS-1501

(1) NPTF Male (2) NPSM Swivel Female



Alternative Views:



PRESSURE RATINGS



DIMENSIONAL DRAWINGS



CROSS REFERENCE

## NPTF PIPE MALE X NPSM PIPE SWIVEL FEMALE 90° ELBOW

[PRINT PAGE](#)

ITEM#	ITEM NAME	OUR PRICE	QTY	
1501-02-02	1501-02-02 - 90° Elbow, 1/8" NPTF Male x 1/8" NPSM Swivel	<b>\$1.65</b>		
1501-02-04	1501-02-04 - 90° Elbow, 1/8" NPTF Male x 1/4" NPSM Swivel	<b>\$2.31</b>		
1501-04-02	1501-04-02 - 90° Elbow, 1/4" NPTF Male x 1/8" NPSM Swivel	<b>\$2.30</b>		
1501-04-04	1501-04-04 - 90° Elbow, 1/4" NPTF Male x 1/4" NPSM Swivel	<b>\$2.57</b>		

1501-04-06	1501-04-06 - 90° Elbow, 1/4" NPTF Male x 3/8" NPSM Swivel	<b>\$3.24</b>		
1501-04-08	1501-04-08 - 90° Elbow, 1/4" NPTF Male x 1/2" NPSM Swivel	<b>\$4.28</b>		
1501-06-04	1501-06-04 - 90° Elbow, 3/8" NPTF Male x 1/4" NPSM Swivel	<b>\$2.98</b>		
1501-06-06	1501-06-06 - 90° Elbow, 3/8" NPTF Male x 3/8" NPSM Swivel	<b>\$3.10</b>		
1501-06-08	1501-06-08 - 90° Elbow, 3/8" NPTF Male x 1/2" NPSM Swivel	<b>\$3.30</b>		
1501-08-04	1501-08-04 - 90° Elbow, 1/2" NPTF Male x 1/4" NPSM Swivel	<b>\$3.95</b>		
1501-08-06	1501-08-06 - 90° Elbow, 1/2" NPTF Male x 3/8" NPSM Swivel	<b>\$3.61</b>		
1501-08-08	1501-08-08 - 90° Elbow, 1/2" NPTF Male x 1/2" NPSM Swivel	<b>\$3.98</b>		
1501-08-12	1501-08-12 - 90° Elbow, 1/2" NPTF Male x 3/4" NPSM Swivel	<b>\$5.34</b>		
1501-12-04	1501-12-04 - 90° Elbow, 3/4" NPTF Male x 1/4" NPSM Swivel	<b>\$8.91</b>		
1501-12-06	1501-12-06 - 90° Elbow, 3/4" NPTF Male x 3/8" NPSM Swivel	<b>\$6.29</b>		
1501-12-08	1501-12-08 - 90° Elbow, 3/4" NPTF Male x 1/2" NPSM Swivel	<b>\$6.73</b>		
1501-12-12	1501-12-12 - 90° Elbow, 3/4" NPTF Male x 3/4" NPSM Swivel	<b>\$6.34</b>		
1501-12-16	1501-12-16 - 90° Elbow, 3/4" NPTF Male x 1" NPSM Swivel	<b>\$12.68</b>		
1501-16-08	1501-16-08 - 90° Elbow, 1" NPTF Male x 1/2" NPSM Swivel	<b>\$21.41</b>		
1501-16-12	1501-16-12 - 90° Elbow, 1" NPTF Male x 3/4" NPSM Swivel	<b>\$10.82</b>		
1501-16-16	1501-16-16 - 90° Elbow, 1" NPTF Male x 1" NPSM Swivel	<b>\$9.44</b>		
1501-16-20	1501-16-20 - 90° Elbow, 1" NPTF Male x 1-1/4" NPSM Swivel	<b>\$23.92</b>		
1501-20-16	1501-20-16 - 90° Elbow, 1-1/4" NPTF Male x 1" NPSM Swivel	<b>\$22.90</b>		
1501-20-20	1501-20-20 - 90° Elbow, 1-1/4" NPTF Male x 1-1/4" NPSM Swivel	<b>\$18.29</b>		
1501-20-24	1501-20-24 - 90° Elbow, 1-1/4" NPTF Male x 1-1/2" NPSM Swivel	<b>\$107.13</b>		
1501-24-20	1501-24-20 - 90° Elbow, 1-1/2" NPTF Male x 1-1/4" NPSM Swivel	<b>\$48.25</b>		

1501-24-24	1501-24-24 - 90° Elbow, 1-1/2" NPTF Male x 1-1/2" NPSM Swivel	<b>\$26.58</b>		
1501-32-32	1501-32-32 - 90° Elbow, 2" NPTF Male x 2" NPSM Swivel	<b>\$69.73</b>		

Check the items you wish to purchase, then click

**ADD TO CART**

## Features

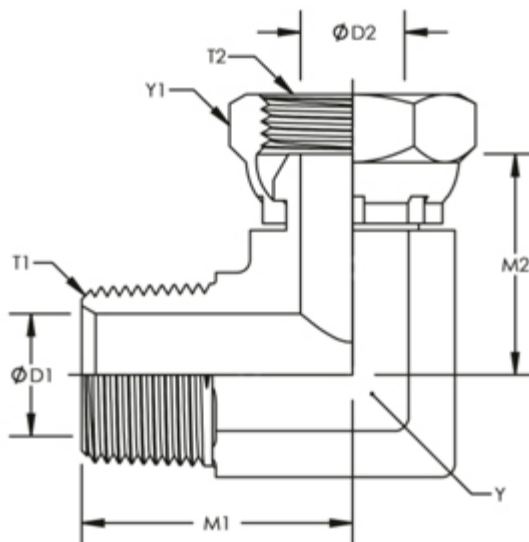
Material: High pressure carbon steel with zinc trivalent anti-corrosion coating National Pipe Straight Mechanical NPSM mates with NPTF pipe fittings and adapters. Female NPSM fittings have a straight thread and 30° seat which creates a metal to metal connection in hydraulic applications

## Product Details

### Pressure:

NPT PRESSURE RATINGS, ANSI/ASME B 31.3					
SIZE	NPT	MALE		FEMALE	
DESIGNATOR	SIZE	PSIG	BAR	PSIG	BAR
1	1/16	11000	757	6700	461
2	1/8	10000	689	6500	447
4	1/4	8000	551	6600	454
6	3/8	7800	537	5300	365
8	1/2	7700	530	4900	337
12	3/4	7300	502	4600	316
16	1	5300	365	4400	303
20	1 1/4	6000	413	5000	344
24	1 1/2	5000	344	4600	316
32	2	3900	268	3900	268

### Dimensional Drawings:



Product ID	Y HEX	Y1 HEX	T1	M1	D1	T2	M2	D2
SS-1501-02-02	0.438	0.563	1/8-27	0.72	0.188	1/8-27	0.7	0.15
SS-1501-02-04	0.563	0.688	1/8-27	0.9	0.188	1/4-18	0.88	0.22
SS-1501-04-02	0.56	0.563	1/4-18	1.09	0.281	1/8-27	0.77	0.15
SS-1501-04-04	0.563	0.688	1/4-18	1.09	0.281	1/4-18	0.88	0.22
SS-1501-04-06	0.75	0.875	1/4-18	1.22	0.281	3/8-18	0.99	0.34
SS-1501-04-08	0.875	1	1/4-18	1.28	0.281	1/2-14	1.11	0.46
SS-1501-06-04	0.75	0.688	3/8-18	1.22	0.406	1/4-18	0.99	0.22
SS-1501-06-06	0.75	0.875	3/8-18	1.22	0.406	3/8-18	0.99	0.34
SS-1501-06-08	0.875	1	3/8-18	1.28	0.406	1/2-14	1.11	0.46
SS-1501-08-04	0.875	0.688	1/2-14	1.47	0.531	1/4-18	1.02	0.22
SS-1501-08-06	0.875	0.875	1/2-14	1.47	0.531	3/8-18	1.04	0.34
SS-1501-08-08	0.875	1	1/2-14	1.47	0.531	1/2-14	1.11	0.46
SS-1501-08-12	1.063	1.25	1/2-14	1.59	0.531	3/4-14	1.3	0.635
SS-1501-12-06	1.063	0.875	3/4-14	1.59	0.719	3/8-18	1.24	0.34
SS-1501-12-08	1.063	1	3/4-14	1.59	0.719	1/2-14	1.24	0.46
SS-1501-12-12	1.063	1.25	3/4-14	1.59	0.719	3/4-14	1.3	0.64
SS-1501-12-16	1.313	1.5	3/4-14	1.78	0.719	1-11-1/2	1.54	0.831
SS-1501-16-08	1.313	1	1-11-1/2	1.97	0.938	1/2-14	1.43	0.46
SS-1501-16-12	1.313	1.25	1-11-1/2	1.97	0.938	3/4-14	1.43	0.64
SS-1501-16-16	1.313	1.5	1-11-1/2	1.97	0.938	1-11-1/2	1.54	0.831
SS-1501-16-20	1.625	1.875	1-11-1/2	2.35	0.938	1-1/4-11-1/2	1.73	1.087
SS-1501-20-16	1.625	1.5	1-1/4-11-1/2	2.38	1.25	1-11-1/2	1.7	0.831

SS-1501-20-20	1.625	1.875	1-1/4-11-1/2	2.38	1.25	1-1/4-11-1/2	1.73	1.087
SS-1501-20-24	1.875	2.125	1-1/4-11-1/2	2.61	1.25	1-1/2-11-1/2	1.89	1.317
SS-1501-24-20	1.875	1.875	1-1/2-11-1/2	2.64	1.5	1-1/4-11-1/2	1.77	1.087
SS-1501-24-24	1.875	2.125	1-1/2-11-1/2	2.64	1.5	1-1/2-11-1/2	1.89	1.317
SS-1501-32-32	2.5	2.625	2-11-1/2	3	1.938	2-11-1/2	2.27	1.802

## Competitor Cross Reference:

INTERCHANGEABLE WITH COMPETITOR PART NUMBERS				
SHF	AEROQUIP	PARKER	SSP	SAE
1501-04-04	259-2047-4-4	2107-4-4-SS	PS4-4ME	140230
1501-06-06	259-2047-6-6	2107-6-6-SS	PS6-6ME	140230
1501-08-08	259-2047-8-8	2107-8-8-SS	PS8-8ME	140230
1501-12-12	259-2047-12-12	2107-12-12-SS	PS12ME	140230
1501-16-16	259-2047-16-16	2107-16-16-SS	PS16ME	140230

Share your knowledge of this product. Be the first to write a review »

### ABOUT US

Company Info  
 Contact Us  
 Careers  
 Reference Center

### MY ACCOUNT

View Cart  
 Sign-In  
 Order Status

### PRODUCTS

Product Index  
 Category Index

### HELPFUL INFO

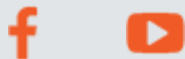
Shipping & Returns  
 Privacy Policy  
 Terms & Conditions  
 Warranty

### QUESTIONS? CALL OR TEXT US!

Tel: (866) 620-7320  
 Email:  
 sales@hydraulicsdirect.com

Copyright 52540 Hydraulics Direct

## FOLLOW US



## TRUSTED SELLER

